



POCKET & CLOSET DOOR HARDWARE

2024

ORGILL



Pocket Door Hardware/Accessories

POCKET DOOR HARDWARE

Orgill SKU #	LE Orgill Item #	Description	Renin Part #	Johnson Part #
8116089	4104741	Pocket Door Frame Kit 36" x 80" Knock Down	PD3068MKDBB	153068PF
8116097	5329594	Pocket Door Frame Kit 36" x 96" Knock Down	PD3080MKDBB	153080HD
Coming Soon	6972756	Heavy Duty Pocket Door Frame Kit 36" x 68" Knock Down 400lbs	PD203068	203068PF
Coming Soon	6972772	Heavy Duty Pocket Door Frame Kit 36" x 96" Knock Down 400lbs	PD203080	203080PF
8116113	6109649	Pocket Door Hardware Track Set 72"	PD100-07200-AL	100721DR
8116089	6972749	Heavy Duty Pocket Door Track Set 400lbs	PD200-07200-AL	200721DR
8116188	4037883, 4037909	3 Wheel BB Soft Close Pocket Door Kit 20-40KG 44/88lbs	HWSCR6340-3WBB2040	1060
Coming Soon	6531180	Pocket Door Track 72" Aluminum	HW10004-07200-ALUP	100-0072
Coming Soon	6972731	Heavy Duty Pocket Door Track 72" Aluminum 400lbs	PDT200-07200-AL	200-0072
Coming Soon	1578640	Pocket Door Split Jamb Kit Primed White	PD01513068	15103068
8116121	0198127	Pocket Door Hardware set 125lbs	PD113P	11311125
8116139	N/A	Pocket Door Hardware Set 200lbs	PD119P	10311005
Coming Soon	6972830	Heavy Duty Pocket Door Hanger set 400lbs	PD7202P	2027SD-1
8116154	1578657	Pocket Door Guide set	PD120P	1550
8116162	5329586	Pocket Door Converging Door Connector Kit	PD118P	1555PPK3
Coming Soon	8157042	Pocket Door Spacer 1 3/4" Kit	PD5751P	1575PPK3

Frame Kits

Pocket Door

PD3068

KNOCK DOWN FRAME KIT

Our adjustable pocket door frame is easy to assemble and is built for an easy installation. Pocket doors are designed to create functionality in a room while utilizing limited space



Package

Product Specifications

Included Components

FEATURES

- Knock down design, easy to assemble and transport
- Adjustable width for openings 24" - 36" and 80" or 96" height
- The wheel and ball bearing system allows for smooth rolling
- The aluminum track can hold doors up to 200lbs

Compatible with LE Johnson 1530HD series.

Orgill SKU#	MFG. Part#	Description	UPC#
8116089	PD3068MKDBB	Pocket Door Frame Kit 36" x 80" Knock Down	043044994201
8116097	PD3080MKDBB	Pocket Door Frame Kit 36" x 96" Knock Down	043044994218

Pocket Door

Frame Kits

PD2030

400LBS HEAVY DUTY KIT

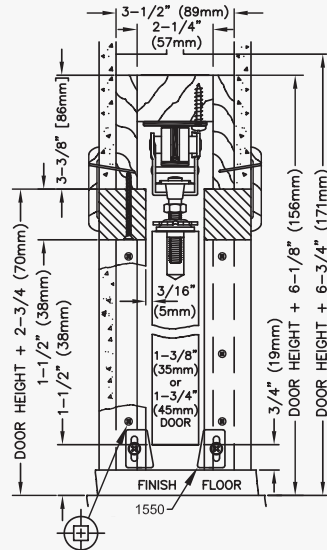
Pocket door frame kits are designed for heavy duty applications and can support doors up to 400lbs



Package



Product Specifications



Included Components



FEATURES

- Knock down design, easy to assemble and transport
- 4-wheel and bearing system allows for smooth quiet rolling
- The beam track can support doors up to 400lbs
- For opening sizes, 36", 80" and 96" high
- Can be cut down to 24"

Compatible with LE Johnson 2030PF series.

Orgill SKU#	MFG. Part#	Description	UPC#
Coming Soon	PD203068	Heavy Duty Pocket Door Frame Kit 36" x 80" Knock Down 400lbs	043044996588
Coming Soon	PD203080	Heavy Duty Pocket Door Frame Kit 36" x 96" Knock Down 400lbs	043044996625

Track Kits

Pocket Door

PD100 TRACK KIT ONLY

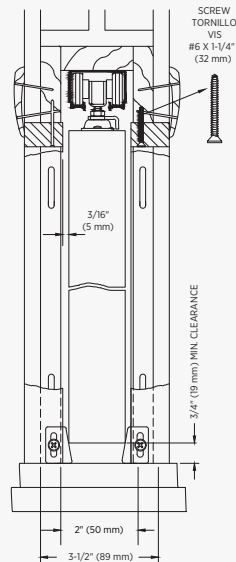
The Pocket door hardware and track kit is perfect for those who already have an existing frame and only need hardware



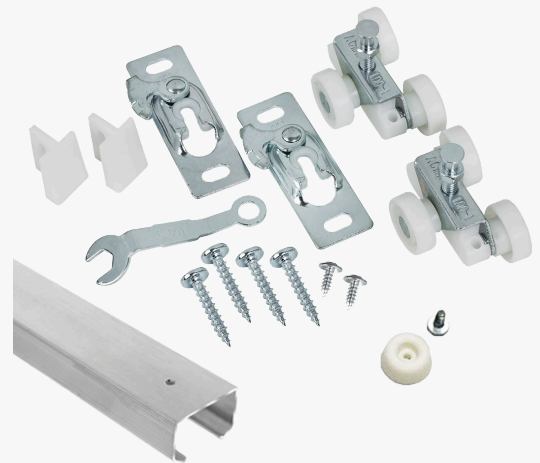
Package



Product Specifications



Included Components



FEATURES

- Aluminum track for smooth rolling
- Designed for 72" door openings
- Kit Includes aluminum track, 2 hangers and 2 plates, door guides, bumper, wrench, and screws
- Maximum door weight 125lbs

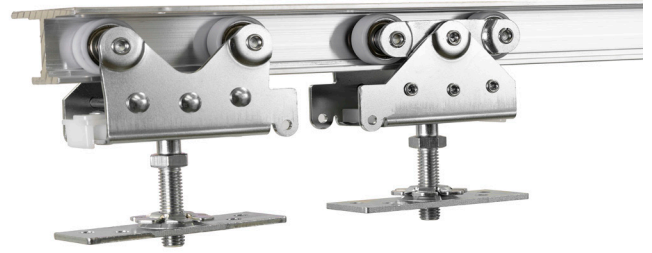
Compatible with LE Johnson 100721DR series.

Orgill SKU#	MFG. Part#	Description	UPC#
8116113	PD100-07200-AL	Pocket Door Hardware Track Set 72"	043044994225

Pocket Door

Track Kits

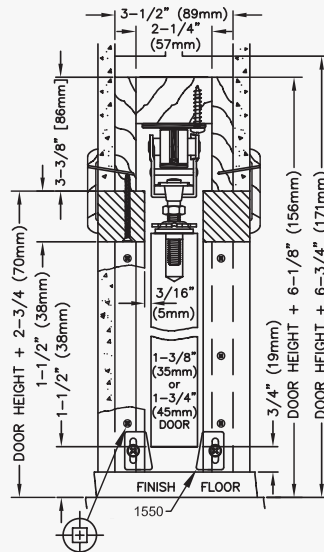
PD200 400LBS HEAVY DUTY TRACK KIT ONLY



Package



Product Specifications



Included Components



FEATURES

- 4-wheel ball bearing system for smooth and quiet rolling
- Can support doors up to 400lbs
- Knock down design, easy to assemble and transport
- Designed for door openings 72" wide

Compatible with LE Johnson 200721DR series.

Orgill SKU#	MFG. Part#	Description	UPC#
8116089	PD200-07200-AL	Heavy Duty Pocket Door Track Set 400lbs	043044996649

HWSCR6340 SOFT CLOSE KIT

The Pocket door soft close hardware series is designed for pocket doors using aluminum box tracks



FEATURES

- Includes 3-wheel trolley, hanger plate, soft-close trigger, wrench, and fasteners
- Maximum door weight 95lbs
- The soft close series is designed for pocket doors using aluminum box tracks

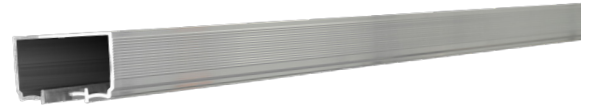
Compatible with LE Johnson 1060.

Orgill SKU#	MFG. Part#	Description	UPC#
8116170	HWSCR6340-3WBB1020	3 Wheel BB Soft Close Pocket Door Kit 10-20KG 22/44lbs	043044986077
8116188	HWSCR6340-3WBB2040	3 Wheel BB Soft Close Pocket Door Kit 20-40KG 44/88lbs	043044986084
8116204	HWSCR6340-3WBB6085	3 Wheel BB Soft Close Pocket Door Kit 40-60KG 132/187lbs	043044986107

Pocket Door

Accessories

HW10004 REPLACEMENT TRACK



FEATURES

- 72" aluminum pocket door box track designed for 3-wheel trolleys



*Track only, Does not include hangers.

Compatible with LE Johnson 100-0072.

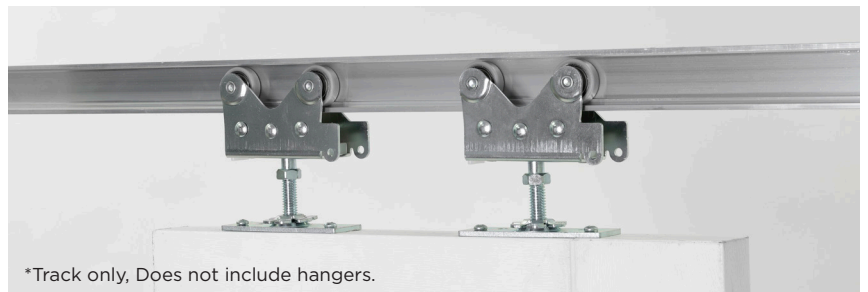
Orgill SKU#	MFG. Part#	Description	UPC#
Coming Soon	HW10004-07200-ALUP	Pocket Door Track 72" Aluminum	043044996687

PDT200 HEAVY DUTY REPLACEMENT TRACK



FEATURES

- 72" beam track for heavy duty pocket doors systems, maximum weigh 400lbs
- Compatible with 4-wheel trolleys (PD7202P)



*Track only, Does not include hangers.

Compatible with LE Johnson 200-0072.

Orgill SKU#	MFG. Part#	Description	UPC#
Coming Soon	PDT200-07200-AL	Heavy Duty Pocket Door Track 72" Aluminum 400lbs	043044996656

PD015130 DOOR JAMB KIT



FEATURES

- 5 pre-cut jambs of the opening frame are pre-cut to size to allow the pocket door to slide in between.
- Primed white and ready to paint
- Designed for door openings 36" x 80" x 4 9/16" and 2x4 wall structures, 1 3/8" door thickness

Compatible with LE Johnson 15103068.

Orgill SKU#	MFG. Part#	Description	UPC#
Coming Soon	PD01513068	Pocket Door Split Jamb Kit Primed White	043044996410

PD113P / PD119P REPLACEMENT HARDWARE

Package



PD113P



PD119P

Included Components



*PD113P Hardware shown

FEATURES

- 3-wheel hanger Kit
- Hardware for 1 door weighing 125lbs or 200lbs
- Non ball bearing wheels for smooth and quiet rolling
- Includes 2 hangers, 2 hanger plates, door guides, bumper and fastener hardware

Compatible with LE Johnson 1131125.

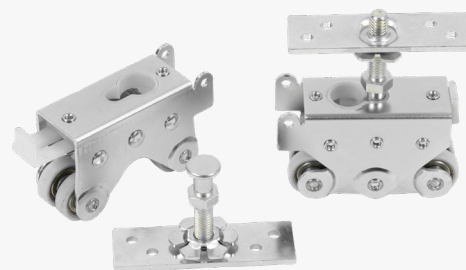
Orgill SKU#	MFG. Part#	Description	UPC#
8116121	PD113P	Pocket Door Hardware set 125lbs	043044994225
8116139	PD119P	Pocket Door Hardware Set 200lbs	043044971400

PD7202P HEAVY DUTY REPLACEMENT HARDWARE

Package



Included Components



FEATURES

- Heavy duty trolleys and hanger plate kit designed
- Compatible with I Track
- 4-wheel ball bearing hangers can support a 400lbs door
- For doors 1 1/8" - 1 3/4" wide

Compatible with LE Johnson 2027SD-1.

Orgill SKU#	MFG. Part#	Description	UPC#
Coming Soon	PD7202P	Heavy Duty Pocket Door Hanger set 400lbs	043044996632

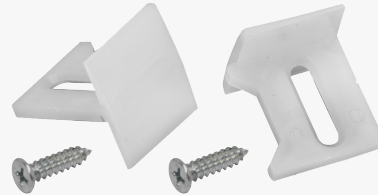
PD120P

REPLACEMENT DOOR GUIDES

Package



Included Components



FEATURES

- Includes 2 pocket door guides and fastener hardware
- Designed for new installation or for repairing existing doors

Compatible with LE Johnson 1550.

Orgill SKU#	MFG. Part#	Description	UPC#
8116154	PD120P	Pocket Door Guide set	043044986169

PD118P

DOUBLE DOOR CONNECTOR

Package



Included Components



FEATURES

- Allows for the connection of 2 pocket door frames
- Steel plates install on front and back header for a sturdy connection
- Includes brackets, and 2 door stoppers (screws not included)
- Compatible with 2x4, and 2x6 door frames

Compatible with LE Johnson 1555PPK3.

Orgill SKU#	MFG. Part#	Description	UPC#
8116162	PD118P	Pocket Door Converging Door Connector Kit	043044971530

Pocket/Bypass Door

Accessories

PD5751P

1-3/4" WIDTH DOOR ADAPTER

Package



Included Components



FEATURES

- Pocket door spacer kit is used to adapt pocket door frames to accept doors 1 3/4" thickness
- Includes 1 3/4" floor brackets and spacers

Compatible with LE Johnson 1131125.

Orgill SKU#	MFG. Part#	Description	UPC#
Coming Soon	PD5751P	Pocket Door Spacer 1 3/4" Kit	43044996489

BP101P

REPLACEMENT ADJUSTABLE DOOR GUIDE

Package



Included Components



FEATURES

- The Bypass floor door guide keeps the Bypass door straight and slides smoothly
- Adjustable to fit 3/4" - 1 3/8" Doors
- Includes guide and installation screws
- Easy to install

Compatible with LE Johnson 2118.

Orgill SKU#	MFG. Part#	Description	UPC#
8116147	BP101P	Bypass Door Floor Guide 3/4" - 1 3/8" thick doors	043044971158

Closet Bypass Hardware/Accessories

CLOSET BYPASS HARDWARE

Orgill SKU #	LE Orgill Item #	Description	Renin Part #	Johnson Part #
8116147	3783834	Bypass Door Floor Guide 3/4" - 1 3/8" thick doors	BP101P	2118
8116055	7854763	Bypass Door Hardware & Track Set 48" Aluminum J-Track 60lbs 2DR	BP210K-04800-AL	2200482D
8116063	3550589	Bypass Door Hardware & Track Set 48" Aluminum J-Track 60lbs 2DR	BP210K-06000-AL	2200602D
8116071	1800846	Bypass Door Hardware & Track Set 72" Aluminum J-Track 60lbs 2DR	BP210K-07200-AL	2200722D
8116279	3105855	Bypass Door Hardware & Track set 48" BX Track Aluminum 200lbs 2DR	BP831BB-04800-AL	138F482D
8116287	N/A	Bypass Door Hardware & Track set 60" BX Track Aluminum 200lbs 2DR	BP831BB-06000-AL	138F722D
8116295	3105863	Bypass Door Hardware & Track set 72" BX Track Aluminum 200lbs 2DR	BP831BB-07200-AL	138F722D
8116303	N/A	Bypass Door Hardware & Track set 96" BX Track Aluminum 200lbs 4DR	BP831BB-09600-AL	138F722D
8116311	9992793	Bypass Door Hardware & Track Set 48" Aluminum J-Track 50lbs 2DR	BP0022F-04800-AL	2200F481
8116329	8197782	Bypass Door Hardware & Track Set 60" Aluminum J-Track 50lbs 2DR	BP0022F-06000-AL	2200F601
8116337	0033928	Bypass Door Hardware & Track Set 72" Aluminum J-Track 50lbs 2DR	BP0022F-07200-AL	2200F721
8116345	3614047	Bypass Door Hardware & Track Set 96" Aluminum J-Track 50lbs 4DR	BP0022F-09600-AL	2200F961
8116360	2368520	Wall mounted Sliding Door Hardware & Track set 72" Aluminum 200lbs	AW0162F-07200-ALBB	2610F721
Coming Soon	7665706	Bypass Door Hardware & Track set 48" Steel 50lbs 2DR	BP6611-04800-GL	1166G482
Coming Soon	3370277	Bypass Door Hardware & Track set 60" Steel 50lbs 2DR	BP6611-06000-GL	1166G602
Coming Soon	1611284	Bypass Door Hardware & Track set 72" Steel 50lbs 2DR	BP6611-07200-GL	1166G722
Coming Soon	5779558	Bypass Door Hardware & Track set 96" Steel 50lbs 4DR	BP6611-09600-GL	1166G964
Coming Soon	2368561	Bypass Single Wheel Hanger 3/8" Offset 2PK	HW8322P	2238PPK2
Coming Soon	2368546	Bypass Single Wheel Hanger 1/16" Offset 2PK	HW6122P	2216PPK2

Bypass Door

Hardware

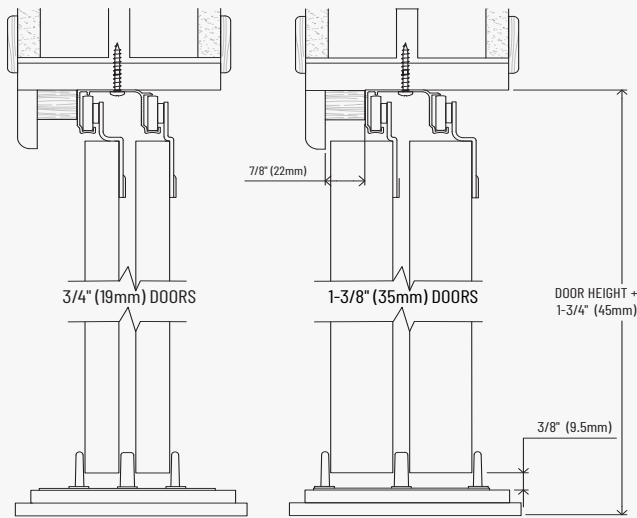
PD210K CLOSET HARDWARE AND TRACK KITS



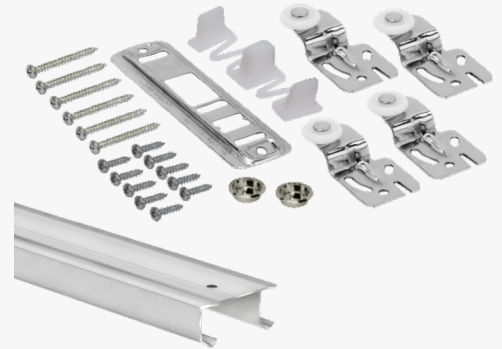
Package



Product Specifications



Included Components



FEATURES

- Aluminum J track and hanger hardware for hanging 2 panels for a bypass configuration
- Aluminum J-track fits 48", 60" and 72" openings (can be cut down to a smaller size)
- Set supports door widths of 3/4" - 1 3/8" and weighing up to 60lbs
- Includes aluminum J-track, 4 hangers, floor guide, door pulls and fasteners

Compatible with LE Johnson 2200D series.

Orgill SKU#	MFG. Part#	Description	UPC#
8116055	BP210K-04800-AL	Bypass Door Hardware & Track Set 48" Aluminum J-Track 60lbs 2DR	043044994249
8116063	BP210K-06000-AL	Bypass Door Hardware & Track Set 60" Aluminum J-Track 60lbs 2DR	043044994256
8116071	BP210K-07200-AL	Bypass Door Hardware & Track Set 72" Aluminum J-Track 60lbs 2DR	043044994263

Hardware

Bypass Door

BP831BB

HEAVY DUTY HARDWARE AND TRACK KITS

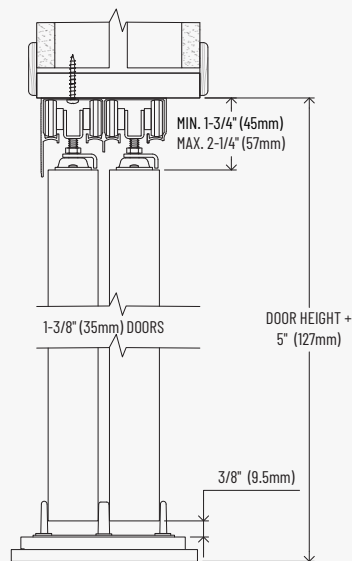
The heavy duty bypass series is designed to support doors up to 200lbs. The track includes a built in fascia to hide the hardware and is available in various lengths



Package



Product Specifications



Included Components



FEATURES

- Includes an aluminum track, ball bearing trolleys, hanger plates, floor guide, satin nickel door pull, track, door stops, and fastener hardware
- Bypass door track fits 48", 60", 72" and 96" x 80" openings
- Maximum weight 200lbs

Compatible with LE Johnson 138F Series.

Orgill SKU#	MFG. Part#	Description	UPC#
8116279	BP831BB-04800-AL	Bypass Door Hardware & Track set 48" BX Track Aluminum 200lbs 2DR	043044995598
8116287	BP831BB-06000-AL	Bypass Door Hardware & Track set 60" BX Track Aluminum 200lbs 2DR	043044995604
8116295	BP831BB-07200-AL	Bypass Door Hardware & Track set 72" BX Track Aluminum 200lbs 2DR	043044995611
8116303	BP831BB-09600-AL	Bypass Door Hardware & Track set 96" BX Track Aluminum 200lbs 4DR	043044995628

Bypass Door

BP0022F INTEGRATED FASCIA BYPASS KIT

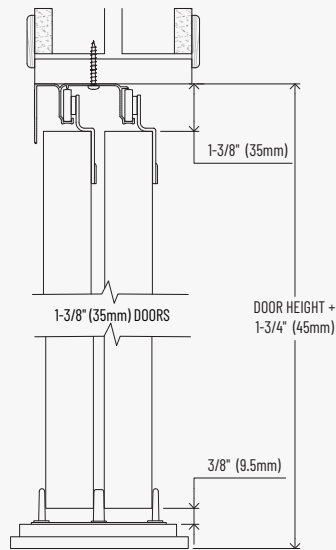
The closet door bypass kit includes a aluminum double J-track with built in fascia to hide hanger hardware. Adjustable nylon rollers provide smooth rolling and can support panels up to 50lbs in weight. Available in various sizes



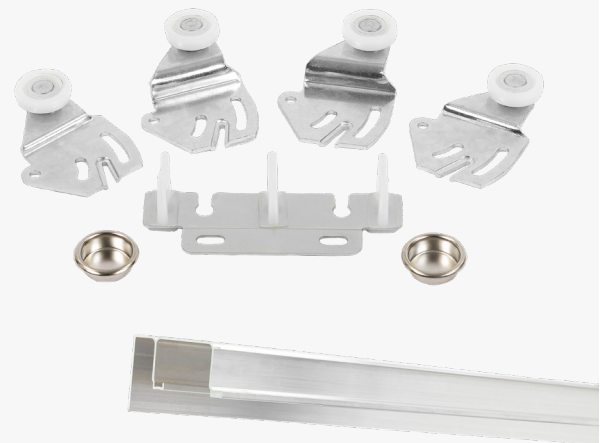
Package



Product Specifications



Included Components



FEATURES

- Includes a aluminum double J-track with a built-in fascia to hide the hardware
- Track fits openings 48", 60", 72" and 96" wide x 80" high

Compatible with LE Johnson 2200F481 Series.

Orgill SKU#	MFG. Part#	Description	UPC#
8116311	BP0022F-04800-AL	Bypass Door Hardware & Track Set 48" Aluminum J-Track 50lbs 2DR	043044996274
8116329	BP0022F-06000-AL	Bypass Door Hardware & Track Set 60" Aluminum J-Track 50lbs 2DR	043044996298
8116337	BP0022F-07200-AL	Bypass Door Hardware & Track Set 72" Aluminum J-Track 50lbs 2DR	043044996304
8116345	BP0022F-09600-AL	Bypass Door Hardware & Track Set 96" Aluminum J-Track 50lbs 4DR	043044996281

Hardware

Bypass Door

AW0162F

WALL MOUNTED HARDWARE AND TRACK KIT

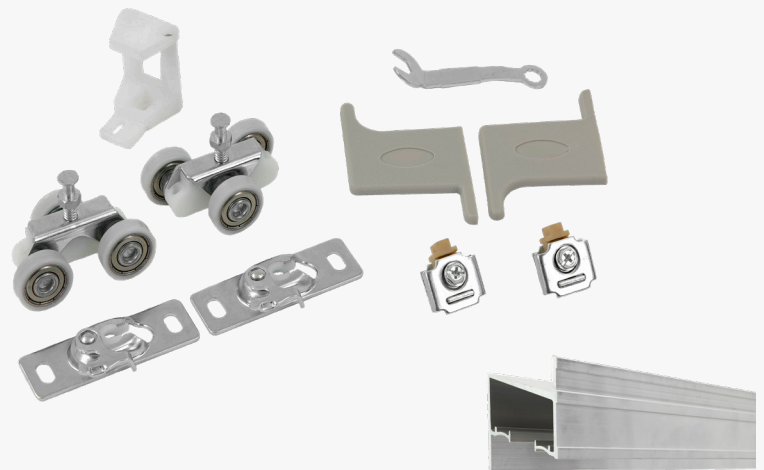
The sliding door hardware and track kit is mounted to the wall instead of the opening. Provides a modern look and with its aluminum box track and ball bearing wheels can support doors up to 200lbs. Can accept doors higher than 80". Track is aluminum for smooth quiet rolling and built in fascia to hide hanger hardware.



Package



Included Components



FEATURES

- Designed for wall mounted installations similar to barn door functionality
- Can hold doors up to 200lbs
- Door thickness 1" - 1 3/4"
- Can be cut to fit smaller door widths
- Includes aluminum box track with fascia, ball bearing trolleys and hanger plates, wall guide, track stops, track end caps, wrench and fastener hardware

Compatible with LE Johnson 2610F721.

Orgill SKU#	MFG. Part#	Description	UPC#
8116360	AW0162F-07200-ALBB	Wall mounted Sliding Door Hardware & Track set 72" Aluminum 200lbs	043044996366

Bypass Door

Hardware

BP6611

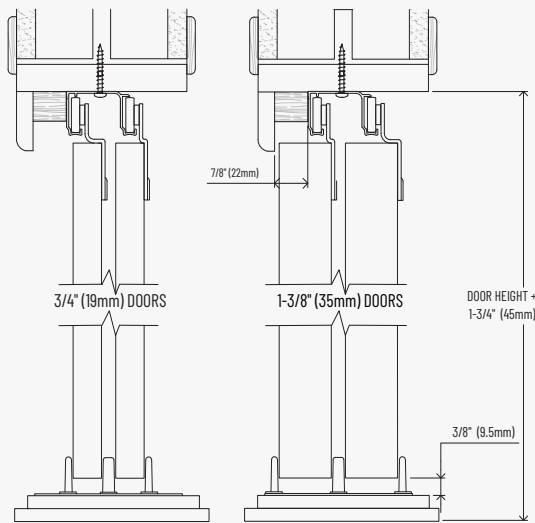
STEEL BYPASS TRACK AND HARDWARE KITS



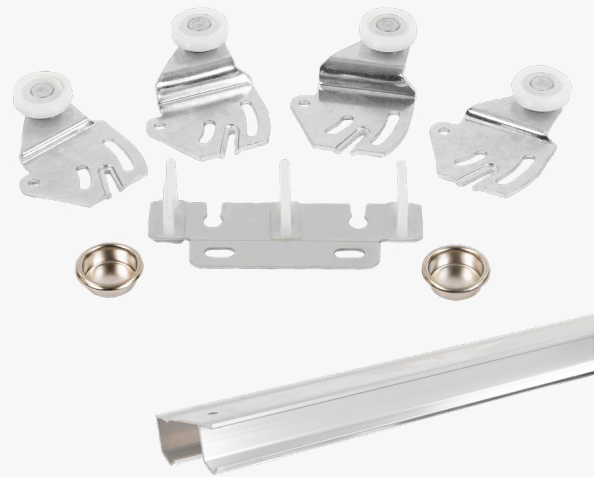
Package



Product Specifications



Included Components



FEATURES

- Includes double steel, J-track, single wheel offset hangers, adjustable floor guide, satin nickel door pulls, and fastener hardware
- Hardware is designed to install 2 doors
- Maximum weight per door 50lbs and use for door thickness 3/4" - 1 3/8" (can be cut to fit smaller openings)

Compatible with LE Johnson 1166G482 Series.

Orgill SKU#	MFG. Part#	Description	UPC#
Coming Soon	BP6611-04800-GL	Bypass Door Hardware & Track set 48" 50lbs 2DR	043044996380
Coming Soon	BP6611-06000-GL	Bypass Door Hardware & Track set 60" 50lbs 2DR	043044996397
Coming Soon	BP6611-07200-GL	Bypass Door Hardware & Track set 72" 50lbs 2DR	043044996403
Coming Soon	BP6611-09600-GL	Bypass Door Hardware & Track set 96" 50lbs 4DR	043044996373

Hardware

Bypass Door

HW8322P 3/8" OFFSET REPLACEMENT HARDWARE

The single wheel bypass hanger series is designed to be used on steel or aluminum J-tracks with or without a fascia



Package	Product Specifications	Included Components

FEATURES

- Includes 2 single wheel (3/8") offset hangers, and nylon wheel with steel body
- 3/8" offset hangers can be used with 1 3/8" door thickness

Compatible with LE Johnson 2238PPK2.

Orgill SKU#	MFG. Part#	Description	UPC#
Coming Soon	HW8322P	Bypass Single Wheel Hanger 3/8" Offset 2PK	043044996571

HW6122P

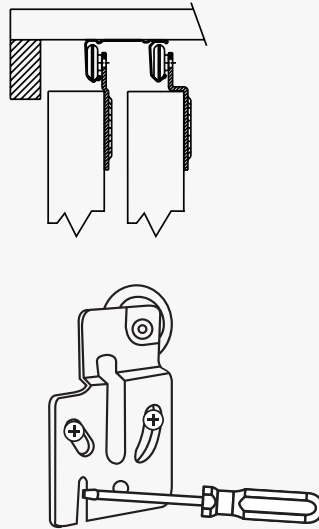
1/16" OFFSET REPLACEMENT HARDWARE



Package



Product Specifications



Included Components



FEATURES

- Includes 2 single wheel 1/16" offset hangers with fasteners, and nylon wheel with steel body
- Maximum door support 50lbs
- 1/16" offset can be used on thinner door thicknesses
- For J-tracks without fascia should be combined with 1 pair of 3/8" offset hangers

Compatible with LE Johnson 2216PPK2.

Orgill SKU#	MFG. Part#	Description	UPC#
Coming Soon	HW6122P	Bypass Single Wheel Hanger 1/16" Offset 2PK	043044996564

Closet Bifold Hardware/Accessories

CLOSET BIFOLD HARDWARE				
Orgill SKU #	LE Orgill Item #	Description	Renin Part #	Johnson Part #
8116212	0968537	Bifold Door 36" Hardware Track Set 2 Panel Steel 40lbs	BF1700-03600-BW	1700363H
8116220	1379999	Bifold Door 48" Hardware Track Set 4 Panel Steel 40lbs	BF1700-04800-BW	1700486H
8116238	5827415	Bifold Door 60" Hardware Track Set 4 Panel Steel 40lbs	BF1700-06000-BW	1700606H
8116246	6240881	Bifold Door 72" Hardware Track Set 4 Panel Steel 40lbs	BF1700-07200-BW	1700726H
8116253	N/A	Bifold Door 96" Hardware Track Set 4 Panel Steel 40lbs	BF1700-09600-BW	1700966H
Coming Soon	6531198	Bifolding Door Hardware Kit & Track set 36" Aluminum 75lbs	BF100-036-AL	100FD362
Coming Soon	6531214	Bifolding Door Hardware Kit & Track set 48" Aluminum 75lbs	BF100-048-AL	100FD484
Coming Soon	6531230	Bifolding Door Hardware Kit & Track set 60" Aluminum 75lbs	BF100-060-AL	100FD604
Coming Soon	6531248	Bifolding Door Hardware Kit & Track set 72" Aluminum 75lbs	BF100-072-AL	100FD724
Coming Soon	0261883	Bifolding Full Access Door Hardware Kit, Steel 2 Panel, 30lbs	BF81121061	1601218P
Coming Soon	0968552	Bifold Hardware Kit 2 Panel 1" - 1 3/4" Wide Panels	BF0071P	1700PPK3
Coming Soon	4279428	Bifold Universal Bottom Pivot Kit	BF7181P	1817PPK3
Coming Soon	1211622	Bifold Universal Top Guide Kit	BF2381P	1832PPK3
Coming Soon	0974998	Bifold Door Aligners 2PK	BF8081P	1808PPK1

Bifold Door

BF1700

STEEL TRACK AND HARDWARE KITS

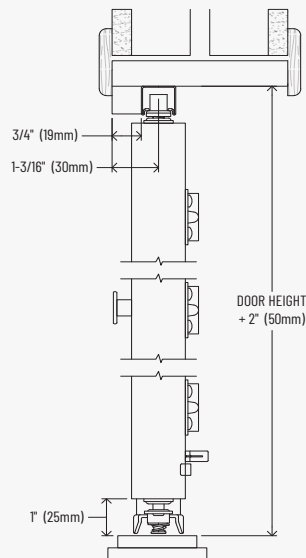
Bifold Hardware steel track set includes all the hardware required to install your bifold closet panels in 2 or 4 Panel configurations. Sleek painted white track with carriers pre-installed and panel hinges will ensure your panels slide effortlessly. Available in track sizes from 36" - 96"



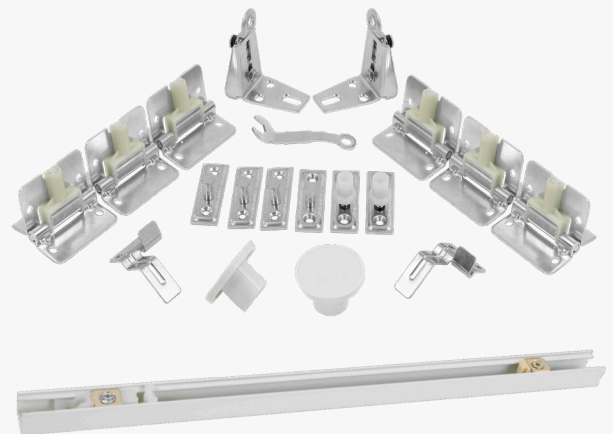
Package



Product Specifications



Included Components



2 Panel set

FEATURES

- Includes steel track with carrier, jamb pivot, pivot brackets, hinges and door pull
- Includes enough hardware to connect 2 or 4 panels
- Painted white steel track

Compatible with LE Johnson 1700 Series.

Orgill SKU#	MFG. Part#	Description	UPC#
8116212	BF1700-03600-BW	Bifold Door 36" Hardware Track Set 2 Panel Steel 40lbs	043044994973
8116220	BF1700-04800-BW	Bifold Door 48" Hardware Track Set 4 Panel Steel 40lbs	043044994980
8116238	BF1700-06000-BW	Bifold Door 60" Hardware Track Set 4 Panel Steel 40lbs	043044994997
8116246	BF1700-07200-BW	Bifold Door 72" Hardware Track Set 4 Panel Steel 40lbs	043044995000
8116253	BF1700-09600-BW	Bifold Door 96" Hardware Track Set 4 Panel Steel 40lbs	043044996069

BF100

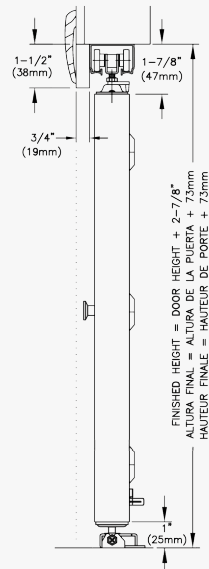
ALUMINUM TRACK AND HARDWARE KITS



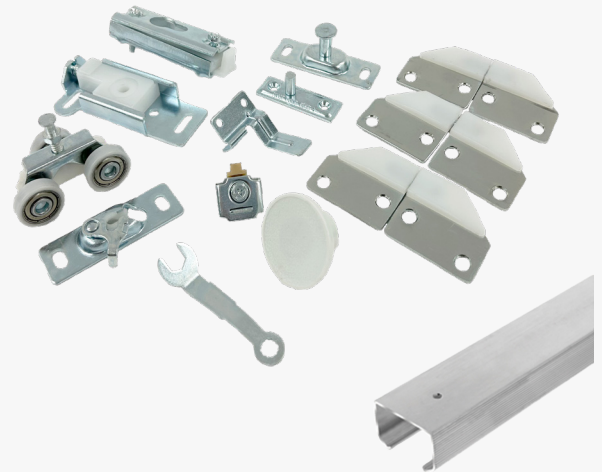
Package



Product Specifications



Included Components



FEATURES

- Track fit openings of 36", 48", 60" and 72" x 80"
- Maximum weight per panel set is 75lbs
- Compatible for door thickness of 1 3/8" - 1 3/4"
- Includes 36" aluminum track, ball bearing trolley, hanger plate, pivot brackets, hinges, carrier hardware, track stop, panel aligner, door pull, and hardware fastener
- Includes hardware to install 1 pair of panels

Compatible with LE Johnson 100FD362 Series.

Orgill SKU#	MFG. Part#	Description	UPC#
Coming Soon	BF100-036-AL	Bifolding Door Hardware Kit & Track set 36" Aluminum 75lbs	043044996670
Coming Soon	BF100-048-AL	Bifolding Door Hardware Kit & Track set 48" Aluminum 75lbs	043044996717
Coming Soon	BF100-060-AL	Bifolding Door Hardware Kit & Track set 60" Aluminum 75lbs	043044996700
Coming Soon	BF100-072-AL	Bifolding Door Hardware Kit & Track set 72" Aluminum 75lbs	043044996694

Bifold Door

Hardware

BF811210

FULL OPENING BIFOLD DOOR ACCESS KIT

Full panel access system allows doors to be pushed to the side of the opening allowing for unobstructed access to the closet



Package



Included Components



FEATURES

- Includes adjustable track, hinges, panel aligner and door pull
- Panel thickness is 1 1/8" - 1 3/4"
- For panels weighing up to 30lbs per pair
- Recommended panel size 2 panels 12" - 18" wide

Compatible with LE Johnson 1601218P.

Orgill SKU#	MFG. Part#	Description	UPC#
Coming Soon	BF81121061	Bifolding Full Access Door Hardware Kit, Steel 2 Panel, 30lbs	043044996663

BF0071P REPLACEMENT HARDWARE KIT

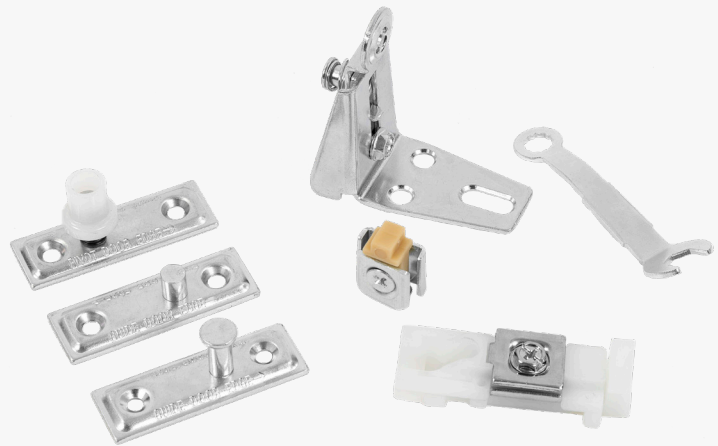
Universal pivot kit for repair of bifold pivot and carrier components on BF1700 series tracks



Package



Included Components



FEATURES

- Includes hardware to connect 1 pair of panels
- Includes jamb pivot, pivot brackets, pivot carrier, track stop and adjustment wrench
- Does not include track or hinges
- For repairs of pivot components on existing bifold closets

Compatible with LE Johnson 1700PPK3.

Orgill SKU#	MFG. Part#	Description	UPC#
Coming Soon	BF0071P	Bifold Hardware Kit 2 Panel 1" - 1 3/4" Wide Panels	043044996519

Bifold Door

Hardware

BF7181 REPLACEMENT BOTTOM PIVOT

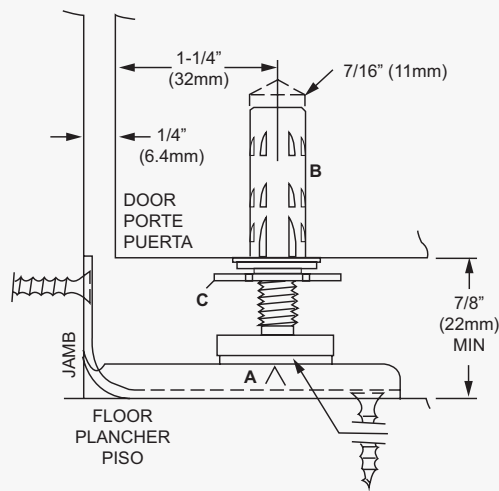
The bifold door universal bottom pivot kit is used to repair existing bottom pivot on existing bifold models



Package



Product Specifications



Included Components



FEATURES

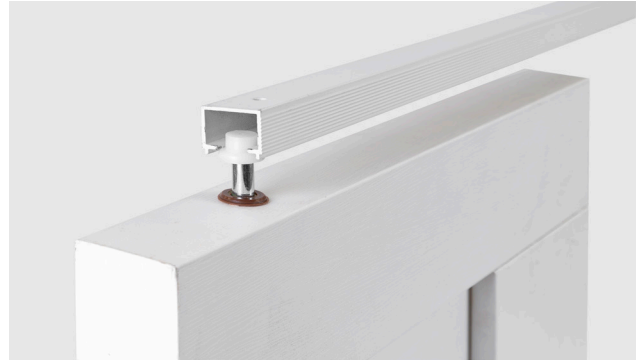
- Includes pivot, pivot jamb bracket, and fastener hardware

Orgill SKU#	MFG. Part#	Description	UPC#
Coming Soon	BF7181P	Bifold Universal Bottom Pivot Kit	043044996540

BF2381

REPLACEMENT TOP GUIDE

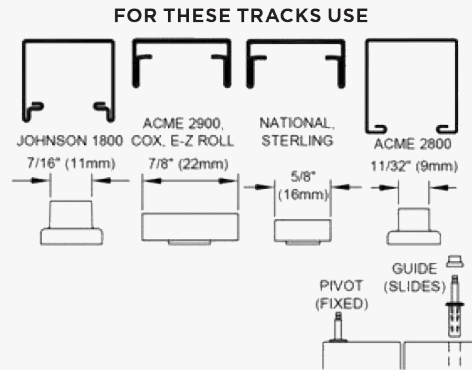
The bifold door universal top guide kit is used to repair existing top guide on various bifold models



Package



Product Specifications



Included Components



FEATURES

- Includes top guide
- Compatible with multiple manufacture

Compatible with LE Johnson 1700PPK3.

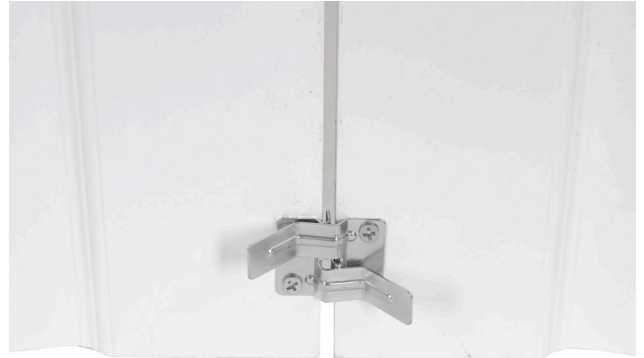
Orgill SKU#	MFG. Part#	Description	UPC#
Coming Soon	BF2381P	Bifold Universal Top Guide Kit	043044996472

Bifold Door

Hardware

BF8081P REPLACEMENT DOOR ALIGNERS

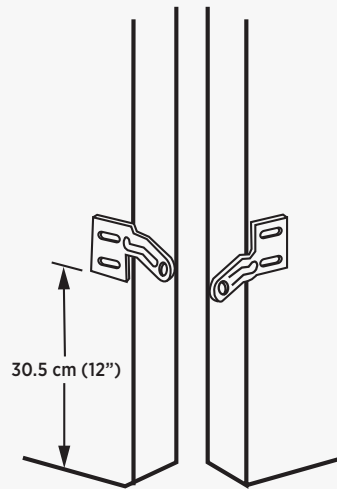
The bifold panel aligners are used to align 2 panels and when closed they stay flush



Package



Product Specifications



Included Components



FEATURES

- Includes 2 panel aligners for bifold panels of any size and fastener hardware
- Installs on the back of the panels were 2 sets of panels connect in the middle
- Easy to install

Compatible with LE Johnson 1808PPK1.

Orgill SKU#	MFG. Part#	Description	UPC#
Coming Soon	BF8081P	Bifold Door Aligners 2PK	043044996526

Plan-O-Grams





Renin

110 Walker Drive
Brampton ON, L6T 4H6
Canada

1141 Ryder Street
Tupelo MS, 38804
USA

1-800-493-5263

www.renin.com
info@renincorp.com

Follow us



DISTRIBUTED BY

ORGILL