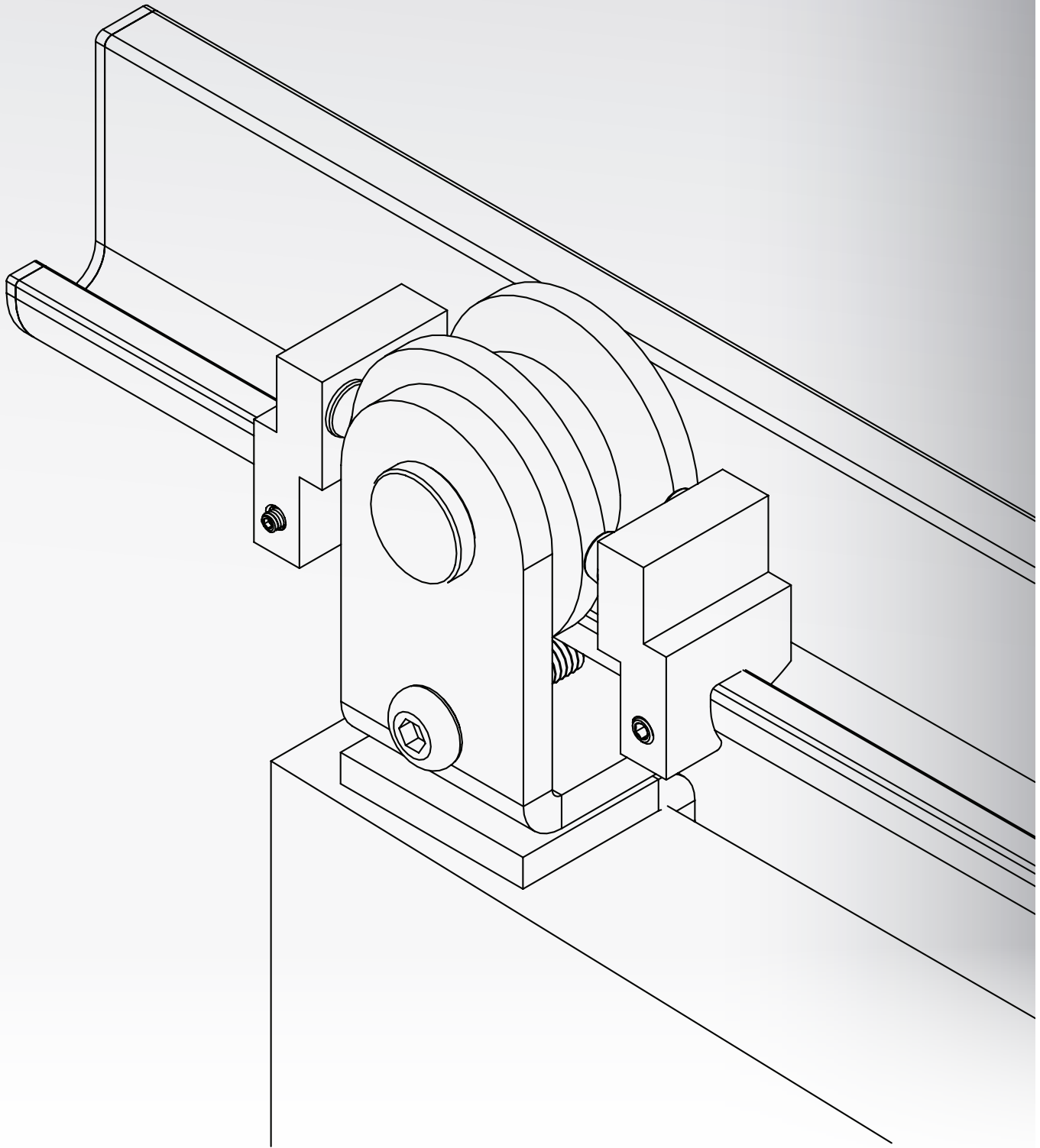


# Easy-Install Bifold Barn Door

INSTALLATION INSTRUCTIONS



# Easy-Install Bifold Barn Door

## PLEASE READ CAREFULLY

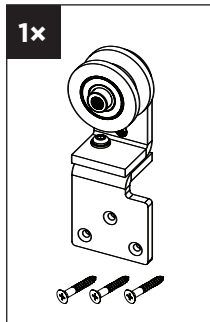
- Read all instructions carefully.
- Protect your eyes by wearing safety goggles.
- Keep the installation area free of clutter.
- Follow each step completely before starting the next step.

## IMPORTANT!

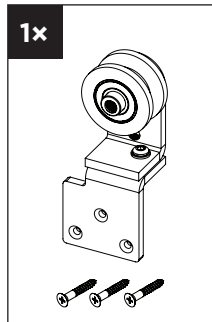
VERIFY THAT ALL PARTS ARE INCLUDED IN THE PACKAGING. IF ANY PARTS ARE MISSING, DO NOT RETURN THIS PRODUCT TO THE STORE.

FOR PARTS ASSISTANCE, PLEASE CALL 1-800-493-5263 BETWEEN 8:30 AM AND 4:30 PM EST, MONDAY TO FRIDAY. SUPPORT IS PROVIDED IN ENGLISH, FRENCH AND SPANISH.

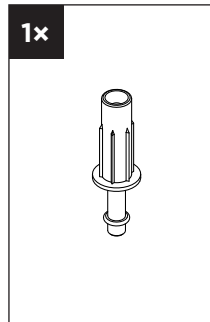
### PACKAGE CONTENTS



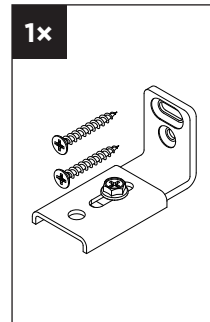
1x  
Left-Hand  
Pivot Strap



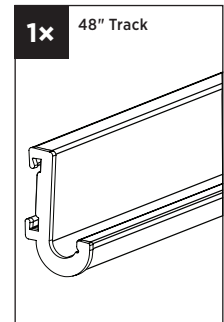
1x  
Right-Hand  
Pivot Strap



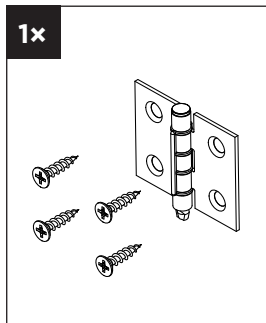
1x  
Bottom Pivot



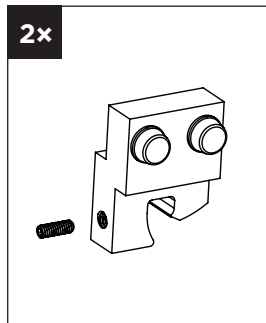
1x  
Bottom Pivot  
Bracket



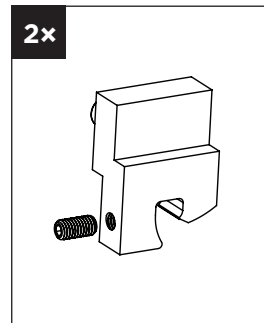
1x 48" Track  
J-Track



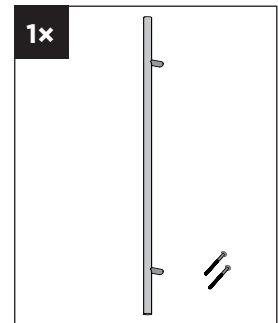
1x  
Center Hinge



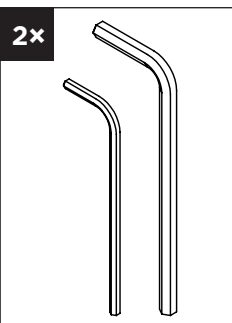
2x  
Left-Hand  
End Stop



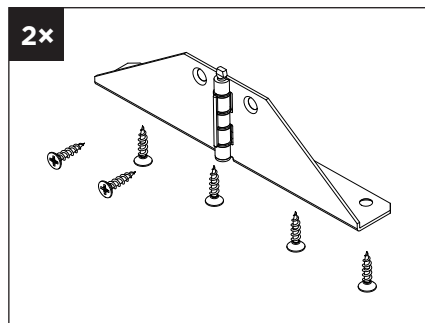
2x  
Right-Hand  
End Stop



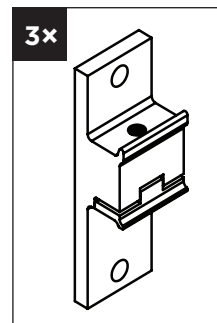
1x  
Handle



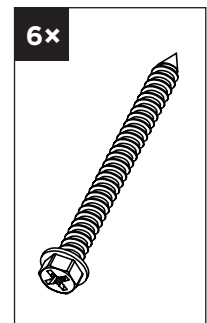
2x  
Hex Keys



2x  
Top and bottom hinge



3x  
Easy Hang  
Bracket

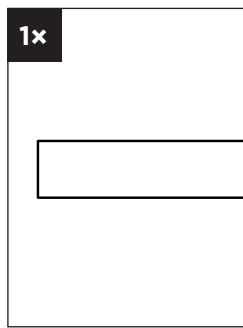


6x  
Tall Hex Head  
Screw

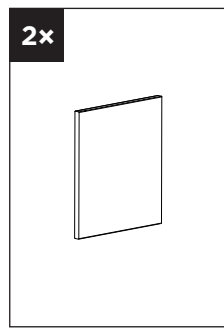


**WARNING:** Drilling, sawing, sanding or machining wood products can expose you to wood dust, a substance known to the State of California to cause cancer. Avoid inhaling wood dust or use a dust mask or other safeguards for personal protection. For more information go to [www.P65Warnings.ca.gov/wood](http://www.P65Warnings.ca.gov/wood).

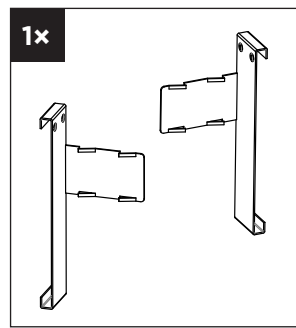
# Easy-Install Bifold Barn Door



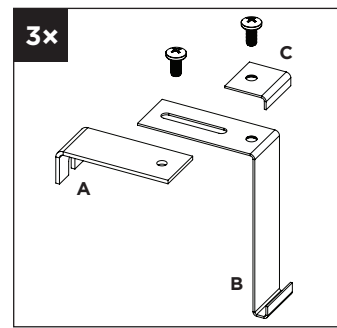
1x Front Fascia



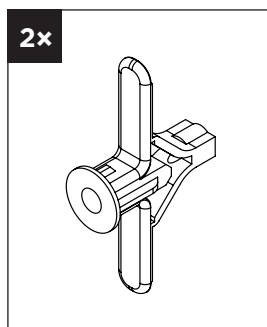
2x Side Fascia Covers



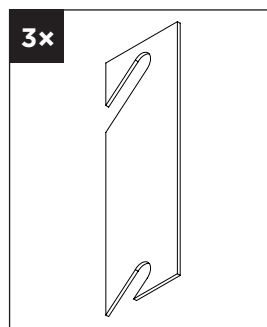
1x Side Fascia Clips (Right & Left)



3x Fascia Brackets:  
**A** - Short L-Bracket  
**B** - Long L-Bracket  
**C** - Fascia Clip

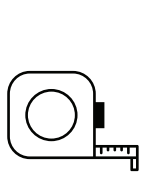


2x Wall Anchors

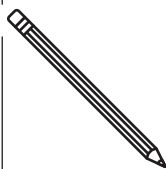


3x Shim

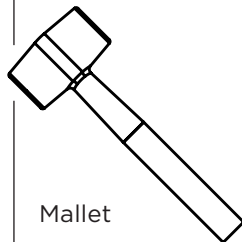
## TOOLS REQUIRED (NOT PROVIDED)



Measuring Tape



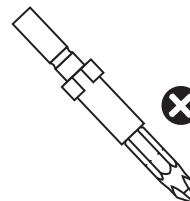
Pencil



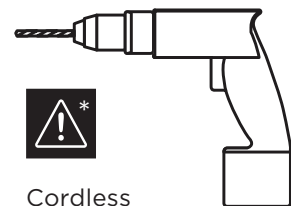
Mallet



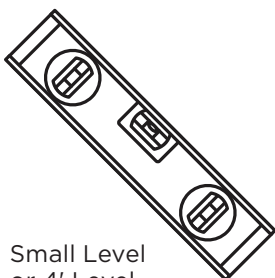
1/8" and 3/32" Drill Bits



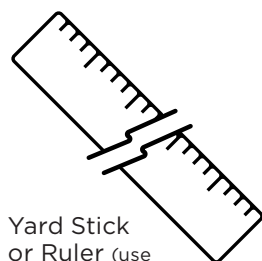
Phillips Head Drill Bit



Cordless Drill



Small Level or 4' Level



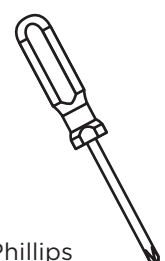
Yard Stick or Ruler (use with small Level)



Step Ladder



Stud Finder



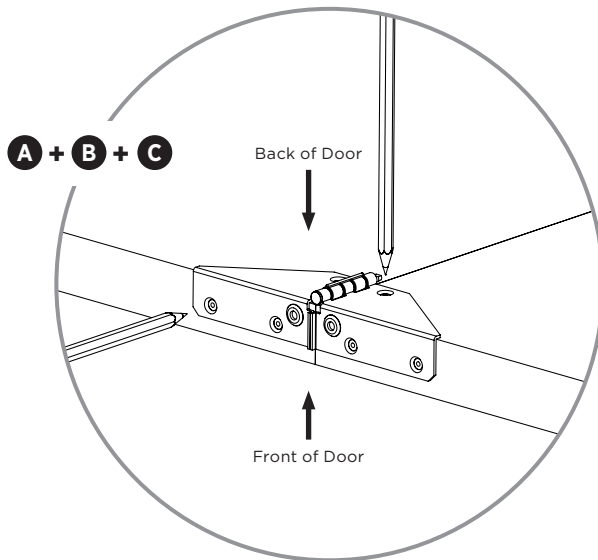
Phillips Screwdriver



**WARNING:** Drilling, sawing, sanding or machining wood products can expose you to wood dust, a substance known to the State of California to cause cancer. Avoid inhaling wood dust or use a dust mask or other safeguards for personal protection. For more information go to [www.P65Warnings.ca.gov/wood](http://www.P65Warnings.ca.gov/wood).

# Easy-Install Bifold Barn Door

## STEP 1 Affix Top and Bottom Hinges



**A)** Lay the (2) door panels down on a protected surface with the front of the panels facing downward and the center edges touching.

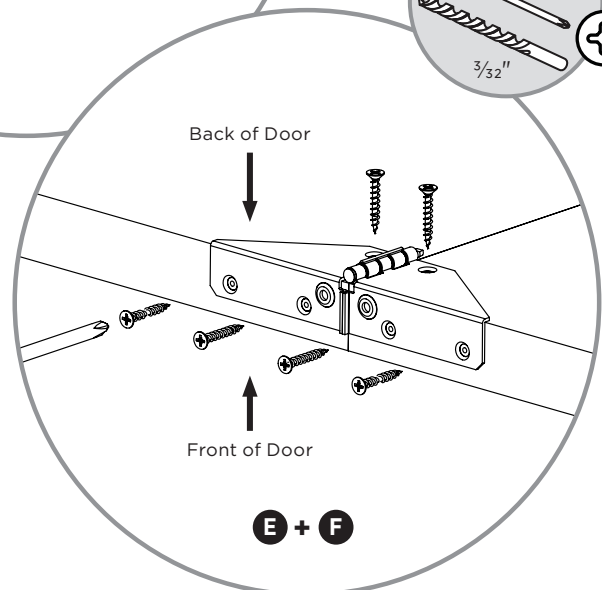
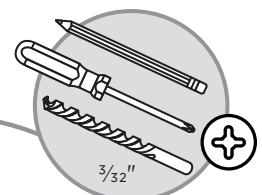
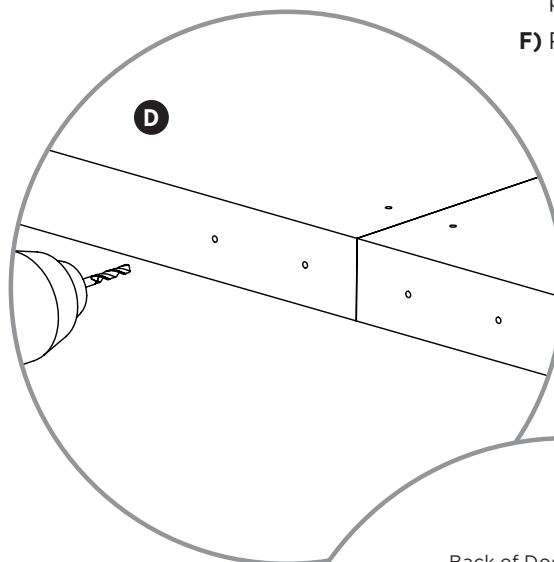
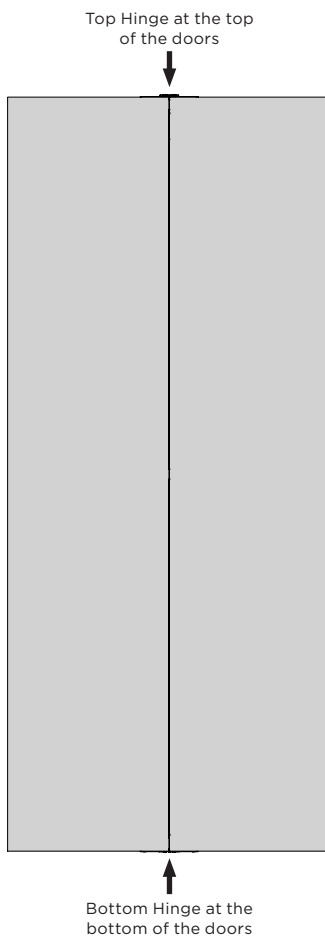
**B)** Center the Top Hinge at the top of the doors on the back and top edges of the panels as shown, ensuring the contact faces of the hinge are aligned with the center panel edges. Repeat for the Bottom Hinge at the bottom of the doors.

**C)** Mark the (6) hole locations with a pencil.

**D)** Using a drill with a 3/32" drill bit, drill the (6) marked hole locations 3/4" deep.

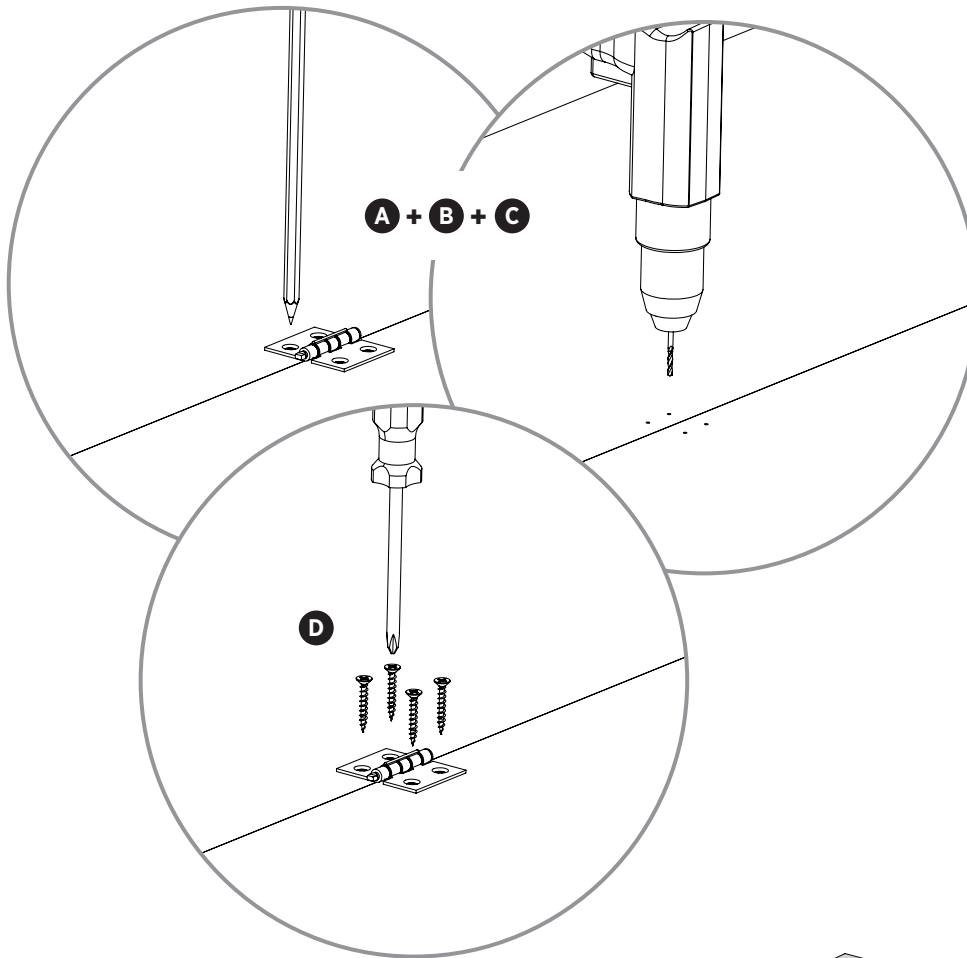
**E)** Affix the Top Hinge to the panels with the screws provided.

**F)** Repeat for the Bottom Hinge.

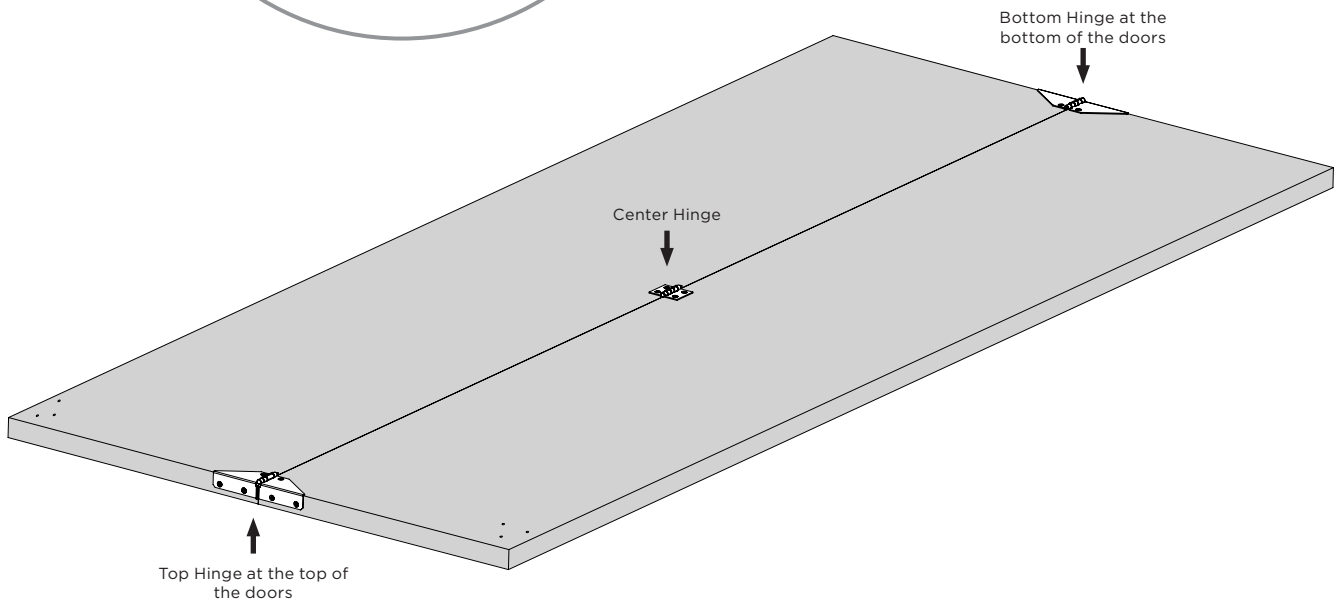
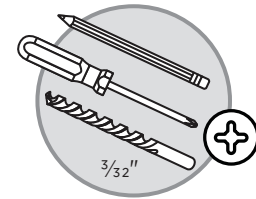


# Easy-Install Bifold Barn Door

## STEP 2 Affix Center Hinge

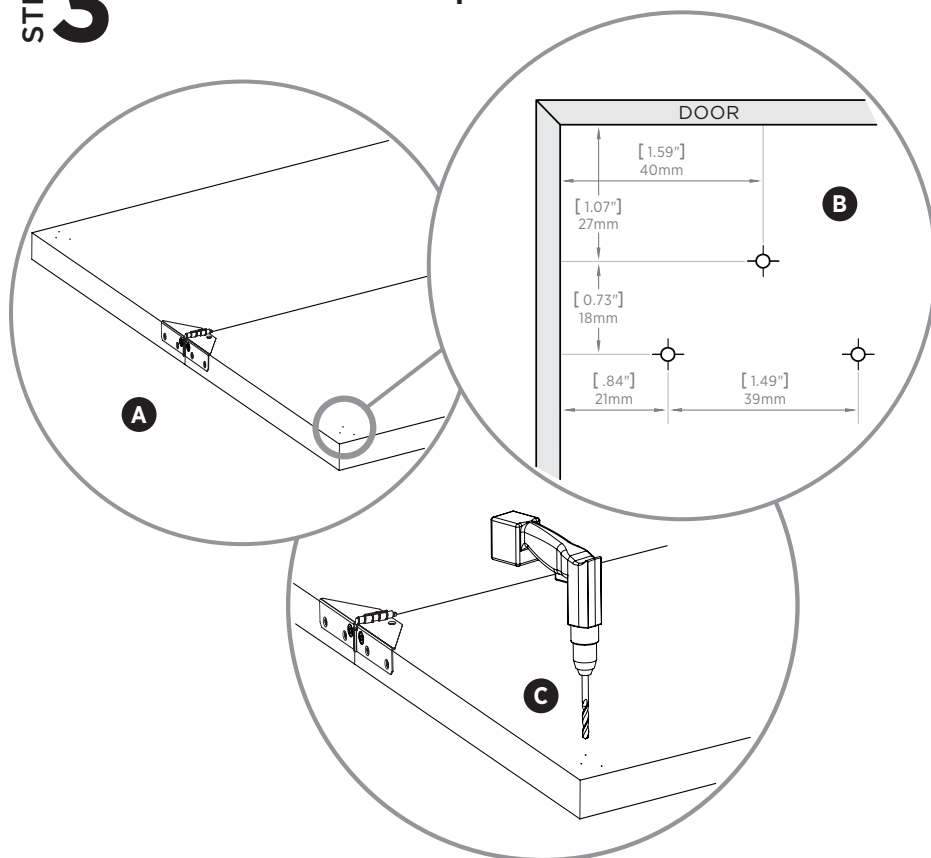


- A)** Position the Center Hinge approximately in the middle of the panels at the center location so the hinge knuckle is centered over the panel edges abutted together.
- B)** Mark the (4), hole locations with a pencil.
- C)** Using a drill with a 3/32" drill bit, drill the (4) marked hole locations 3/4" deep.
- D)** Affix the hinge to the panels with the screws provided.



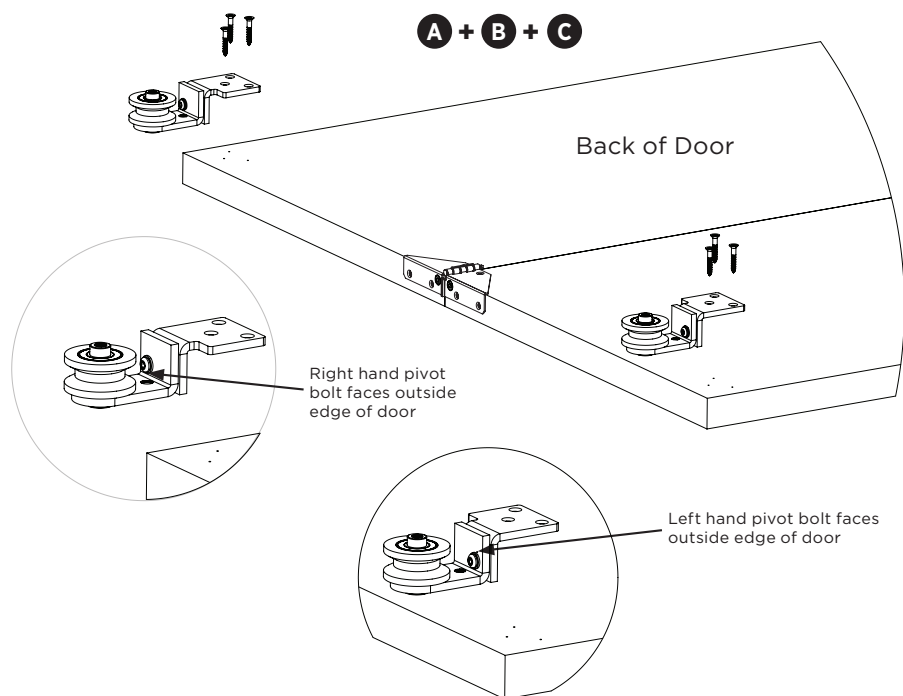
## Easy-Install Bifold Barn Door

### STEP 3 Mark & Drill Strap Holes



- A) Flip the door over on the protected surface, with the back of the panels facing upward and the top edge of the panels with the hinge attached, overhanging the table by approximately 8"-10".
- B) Measure down 1.07" (27mm) from the top of the door and 1.59" (40mm) from the outer edge to mark the first top hole. Then measure .73" (18mm) down and .84" (21mm) from the outer edge from the center of the top hole to mark the bottom hole. Measure 1.80" (45mm) from the top of the door and 2.34" (60mm) from the outer edge of the door and mark the third hole. Repeat this step for the other panels.
- C) Drill a pilot hole 3/4" deep as indicated on each panel using a 1/8" drill bit.

### STEP 4 Affix LH and RH Pivot Straps



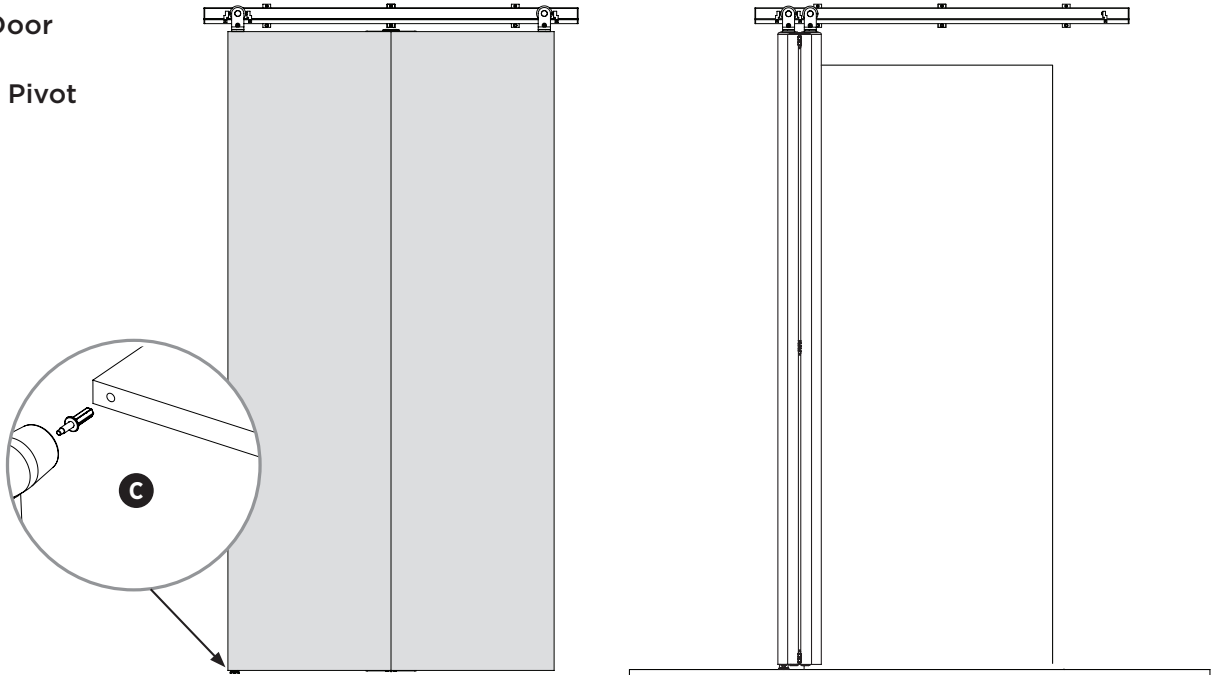
- A) With the door remaining in place and still overhanging the table by approximately 8"-10". Position the Left-Hand Pivot Strap as shown with the wheel towards the back of the door and the pivot bolt toward the left edge of the assembled panels.
- B) With a Philips drive, secure the strap in place using the strap screws provided. **Do not over torque as wood material will strip.**
- C) Repeat for the right-hand pivot strap ensuring the orientation is as shown.

## Easy-Install Bifold Barn Door

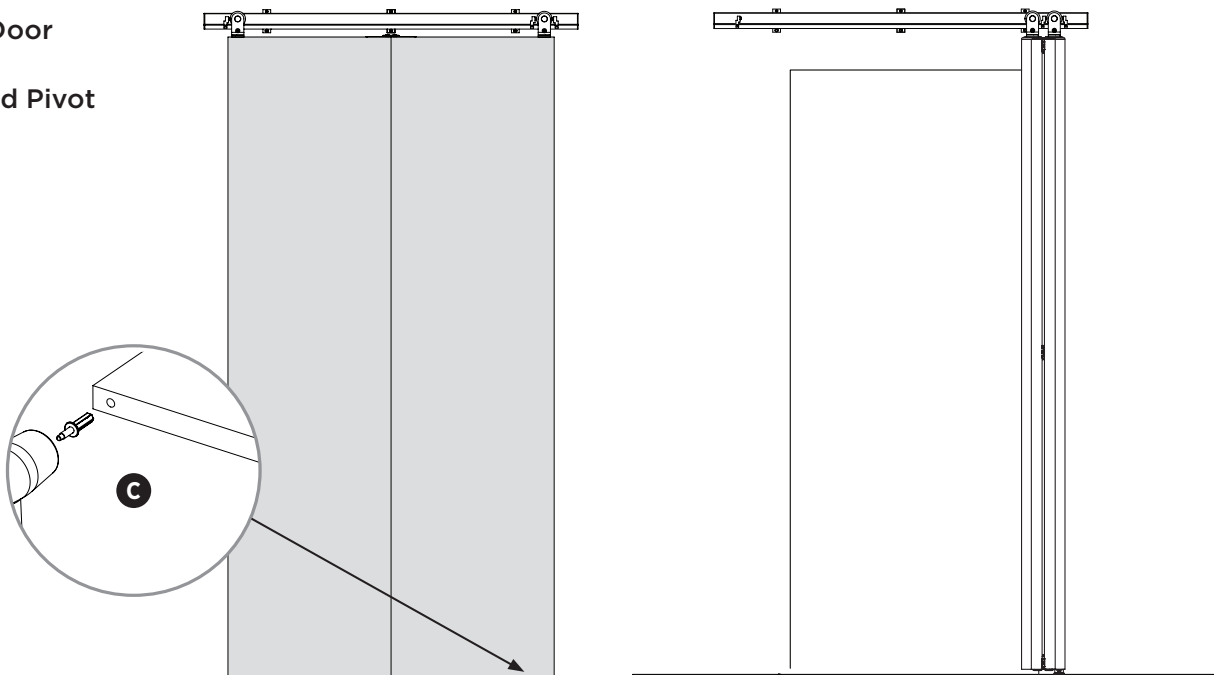
### STEP 5 Determine Pivot Side

- A) For a 1 door (2 panel) installation, determine which side of the opening you want the Bifold to pivot on. (Left-Hand pivot or Right-Hand pivot).
- B) Slide the door assembly on the protected table so the bottom edge of the door overhangs the table by approximately 6"-8".
- C) Gently tap in the Bottom Pivot with a rubber mallet until the flange contacts the bottom edge of the panel.

Typical 1 Door  
(2-Panel)  
Left-Hand Pivot

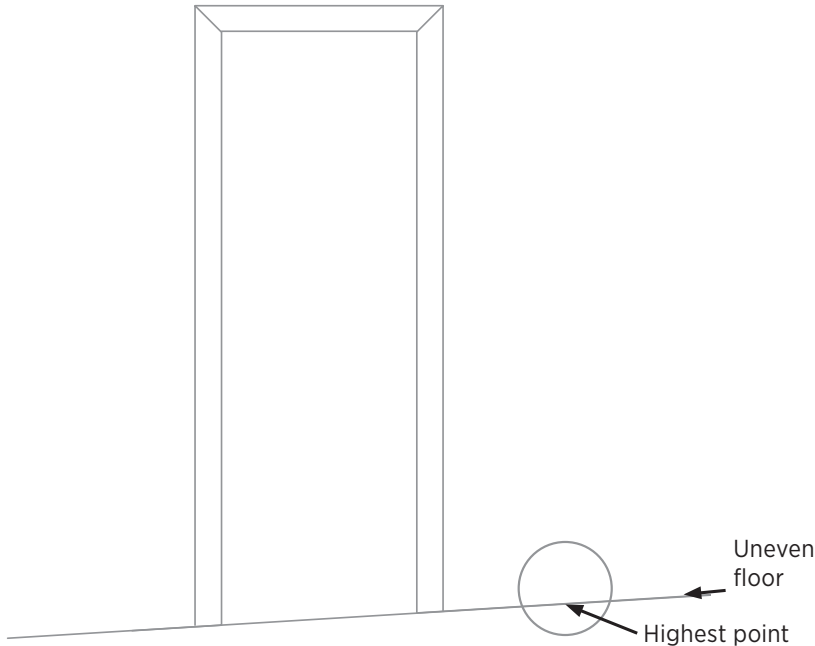


Typical 1 Door  
(2-Panel)  
Right-Hand Pivot

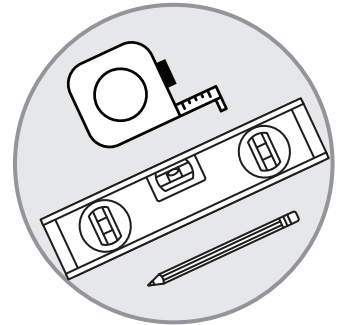


## INSTALLATION OF WALL BRACKETS AND J-TRACK

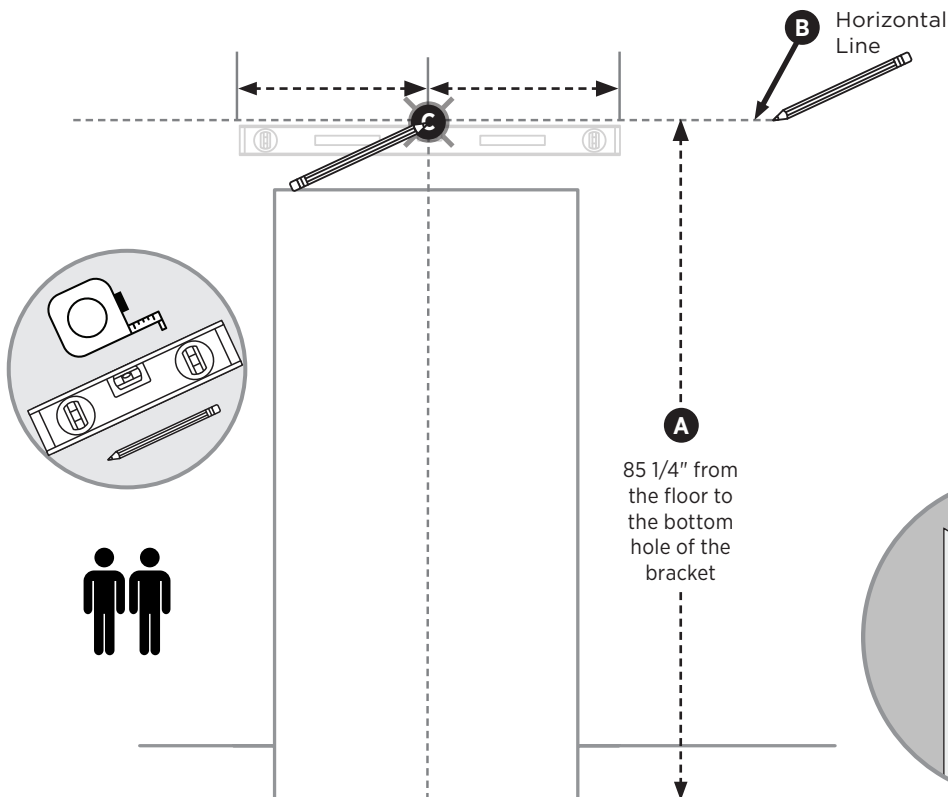
### STEP 6 Check Floor For Level



- A) Use a level to check if your floor is uneven before making measurements.
- B) If your floor is uneven, note which side of the opening is higher.



### STEP 7 Mark The Mount Height

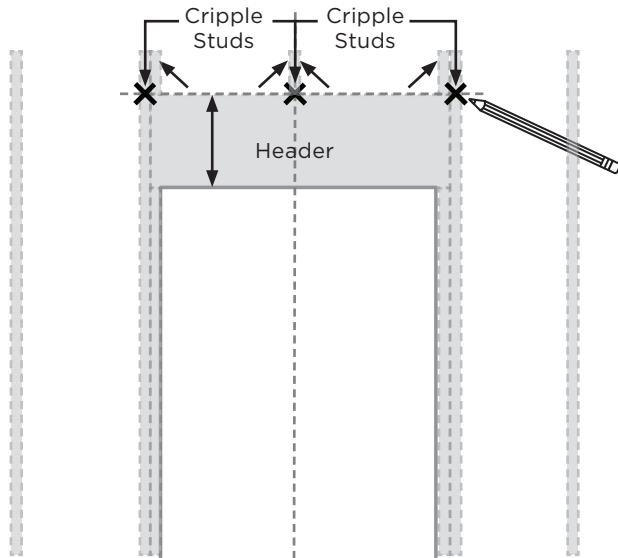


- A) Measure up from the floor, (at the location determined in Step 6) 85 1/4" from the floor to the bottom hole of the bracket, then make a light pencil mark.
- B) At the opening height mark made in Step 7A, use a level and lightly draw a 4' horizontal pencil line centered over the opening for a 1 door (2 panel).
- C) Measure over half the opening width and draw a light vertical line to intersect with the horizontal line. This is the center position of the track.

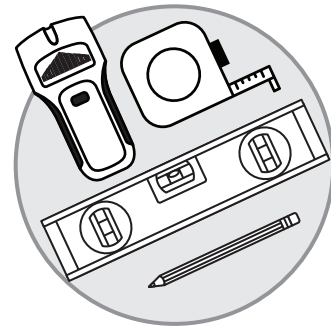


# Easy-Install Bifold Barn Door

## STEP 8 Locate And Mark The Studs And Header

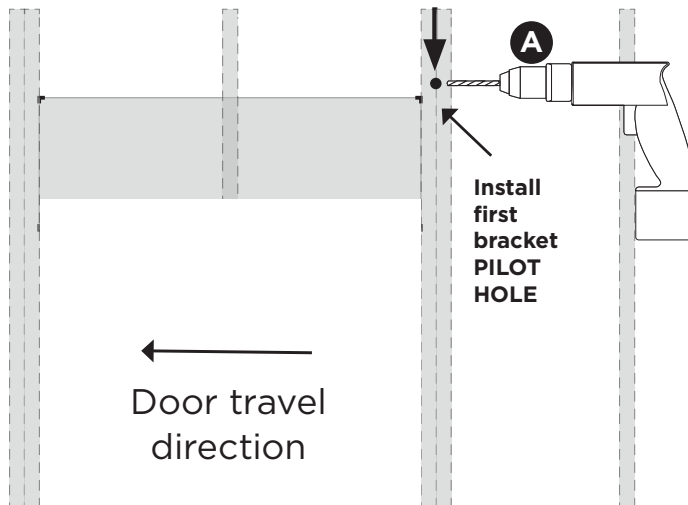


Use a stud finder to locate and mark the center and edges of each stud and cripple, as well as the top of the door header to ensure it is at least 1 inch above the line drawn.



## STEP 9 First Wall Bracket installation

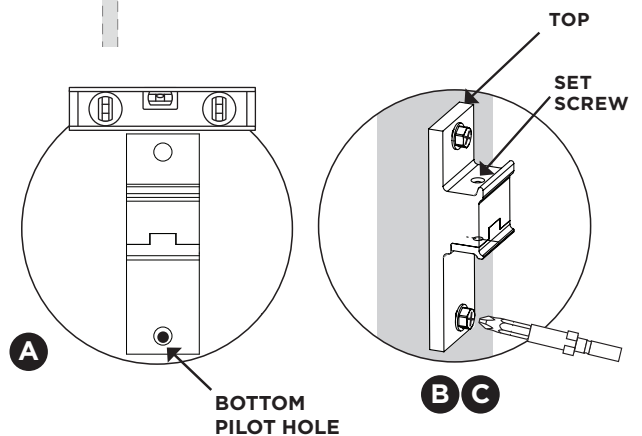
Start with the height mark made on your wall in **Step 8** and install the first wall bracket on the right.



- A) Use a 1/8" bit to drill a pilot hole on the mark you made on the wall in **Step 8**. Ensure the bracket is level before inserting the fastening screw.
- B) Use a Phillips head screwdriver bit to fasten the hex head screw to the bottom hole of the wall bracket.

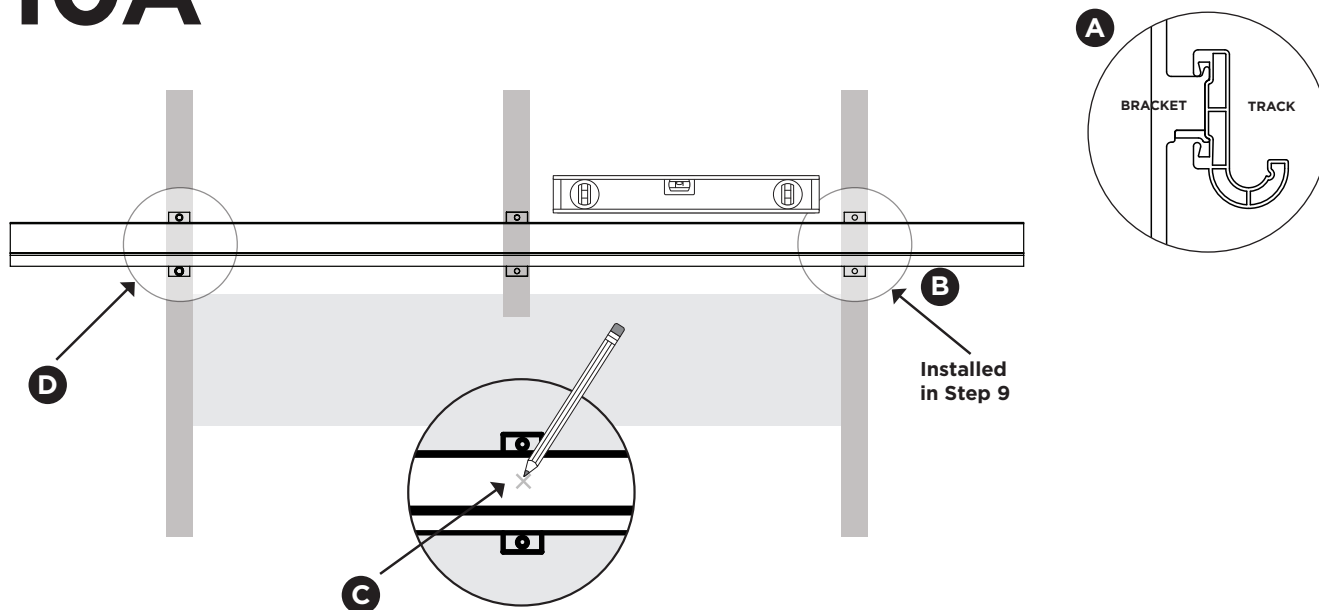
**NOTE:** Be careful to apply enough pressure to ensure the Phillips screwdriver bit does not slip off the hex screw head and strip the paint. If this happens, you should be able to touch up with most paints.

- C) Use a 1/8" bit to drill a pilot hole on the top hole of the wall bracket and use a Phillips screw driver bit to fasten the hex head screw to the top hole of the wall bracket.



## Easy-Install Bifold Barn Door

### STEP 10A Installing the track on the wall

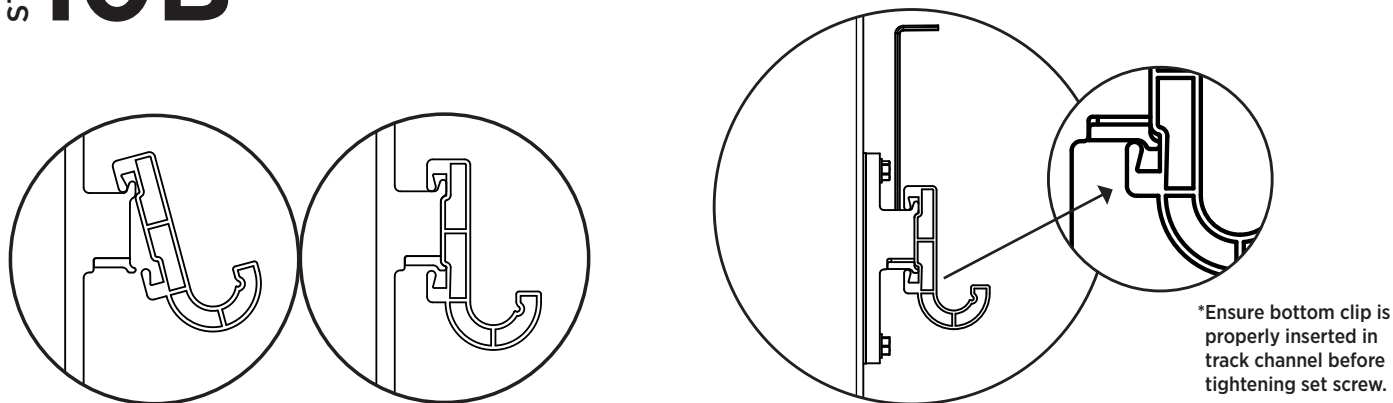


- A) Slide all remaining wall brackets into the back channel of the Track.
- B) Install the Track on to the wall bracket installed in **Step 9**. (See **Step 10B** for track installation)
- C) Ensuring the Track is level, mark the stud locations on the Track using a pencil.
- D) Install the 2nd wall bracket on the left to hold the Track in place making it easier to install the remaining wall bracket. Tighten set screw to secure the bracket to the track.

**IMPORTANT:** Ensure track is level before installing 2nd wall bracket.

**NOTE:** Use a ladder and another person to help with installation. If brackets are unable to slide on track slightly loosen the screws on the left and right wall bracket to create space between the track and the wall.

### STEP 10B Track Installation



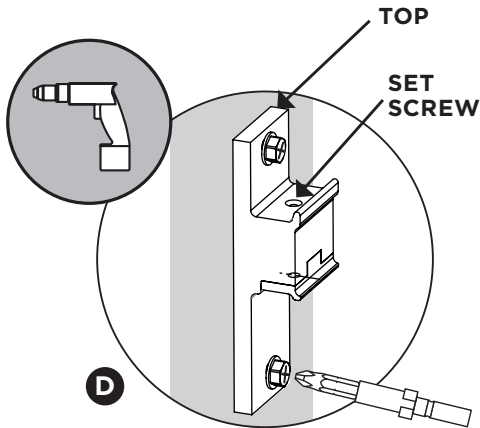
- A) Angle the track to a 30-degree angle and clip the back of the track to the first wall bracket that is on the wall and snap the track down.

- B) Tighten the set screw at the top of the wall bracket at each end of the track using the provided Allen key that locks the wall bracket to the track. Do not over-tighten. Ensuring the Track is level.

## Easy-Install Bifold Barn Door

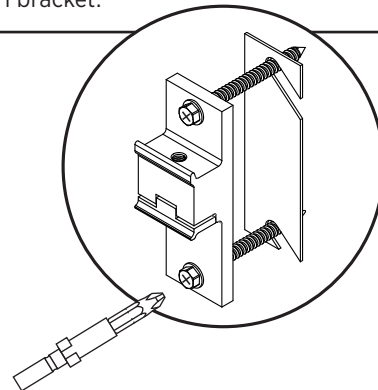
### STEP 11 Installing remaining Wall Bracket

- A) Slide each remaining wall bracket over the marked stud locations on the track. Bracket should be centered on the stud.
- B) Before fastening remaining wall bracket, verify for a bowed wall. If wall is bowed add shims provided behind the wall bracket to prevent the track from bowing. (See Shim Installation section).
- C) Use a 1/8" bit to drill a pilot hole on the top and bottom hole of the wall bracket.



#### SHIM INSTALLATION:

Check for bowed wall. If there is any bowing that causes gaps between the back side of the wall bracket and the wall, please make note of these locations, and use the provided Shims as necessary. Multiple shims can be used on 1 bracket.



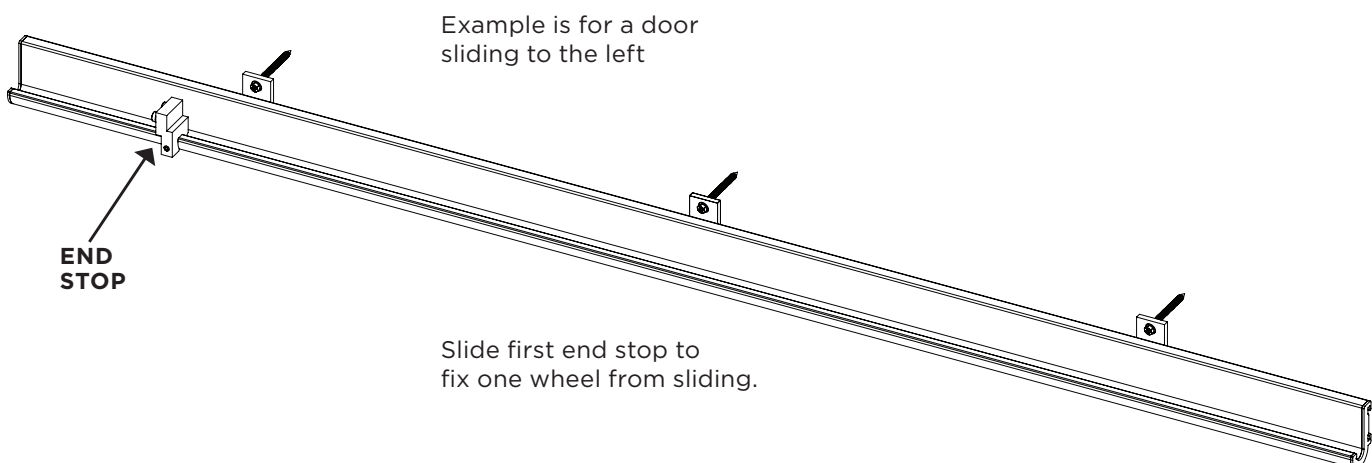
- D) Use a Phillips head screwdriver bit to fasten the hex head screw to the top and bottom hole of the wall bracket.

**IMPORTANT:** Once wall brackets are installed tighten set screws to secure bracket to the track. (See **Step 10B**)

### STEP 12 Slide only one End stop on the track

- A) Slide the Left-Hand End Stop or Right-Hand End Stop onto the track, ensuring the set screws are on top and the bumpers face inward toward each other as shown.

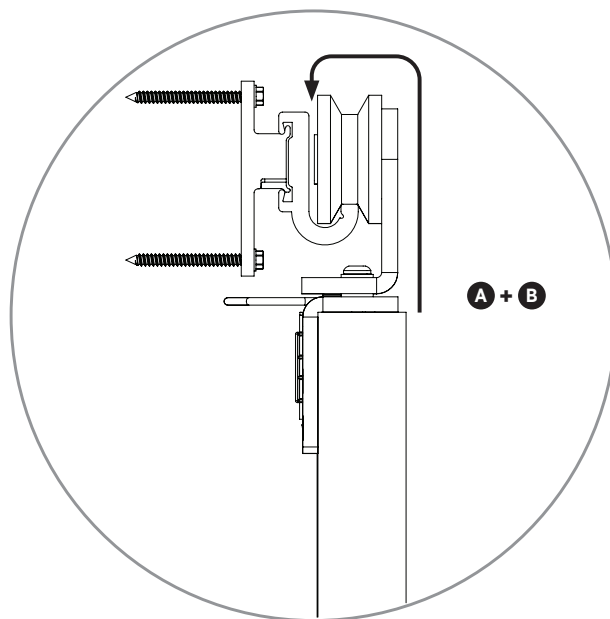
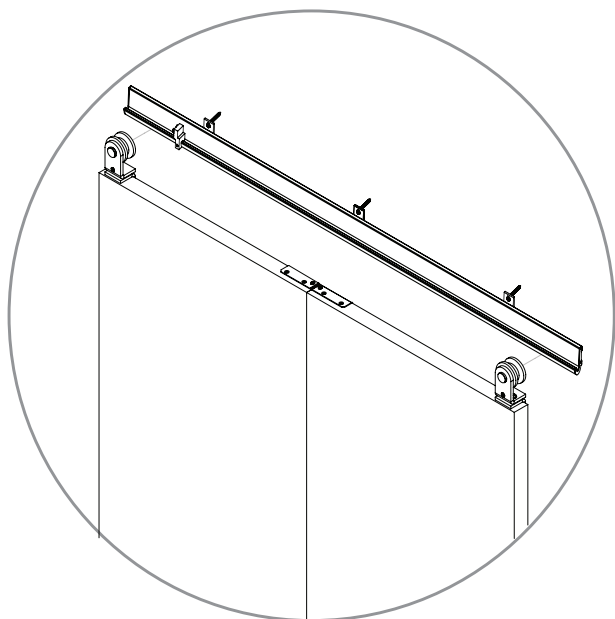
**NOTE:** Do Not fully tighten the End Stops at this time.



## Easy-Install Bifold Barn Door

### STEP 13 Hang the door on the track

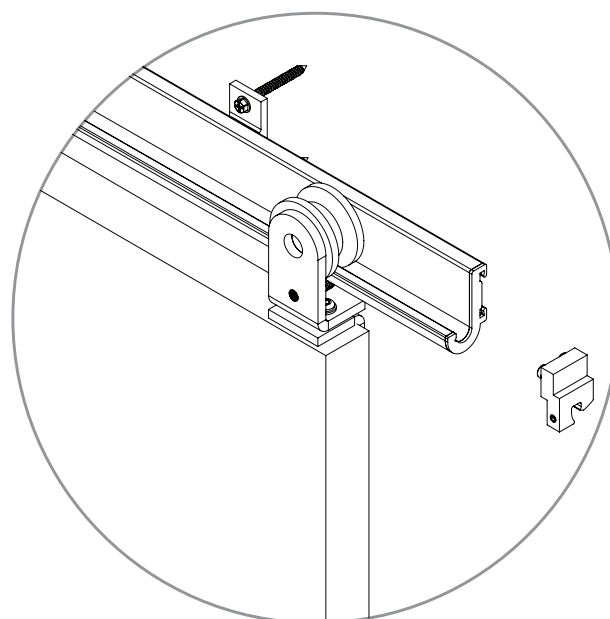
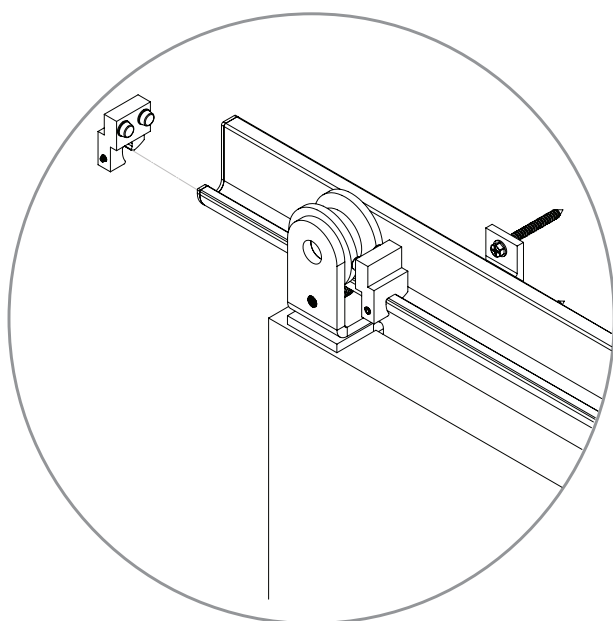
- A) Hang the door(s) in the closed position onto the track.
- B) Move the door and end stop to the desired position so it covers the opening.



Place the door on the track

### STEP 14 Installing End Stops

- A) Slide the outer Left-Hand and Right-Hand End Stops on the J-track until each contact the wheels on the closed door, then tighten the set screws.

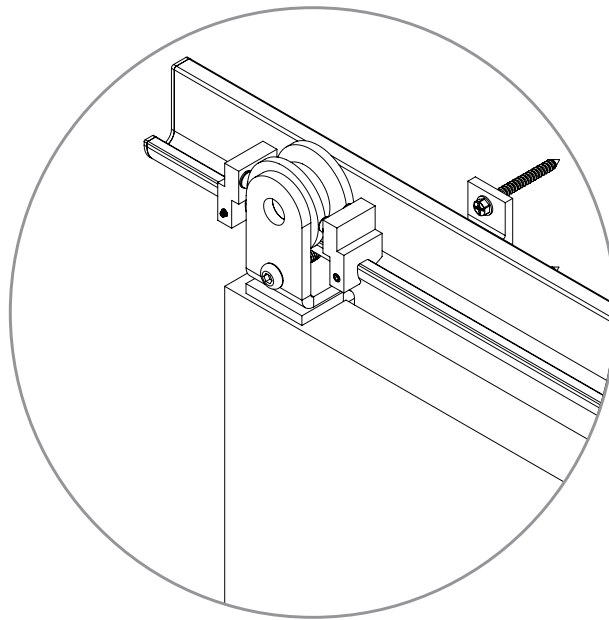
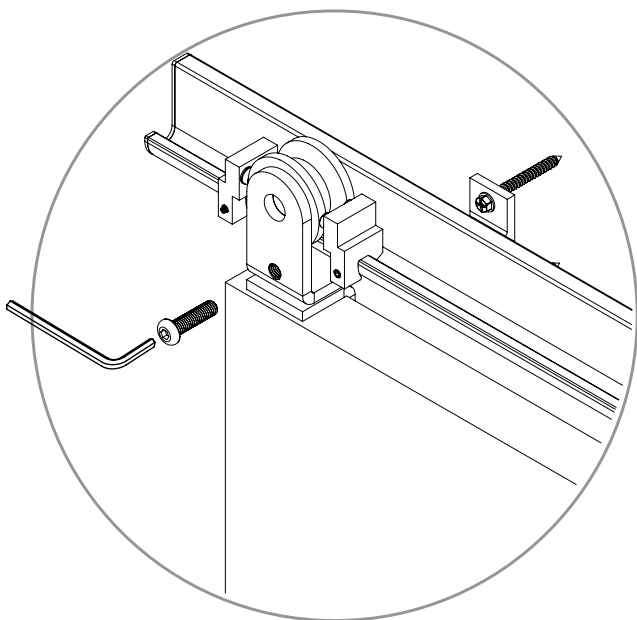


## Easy-Install Bifold Barn Door

### STEP 15 Installing Anti-Jump Bolts

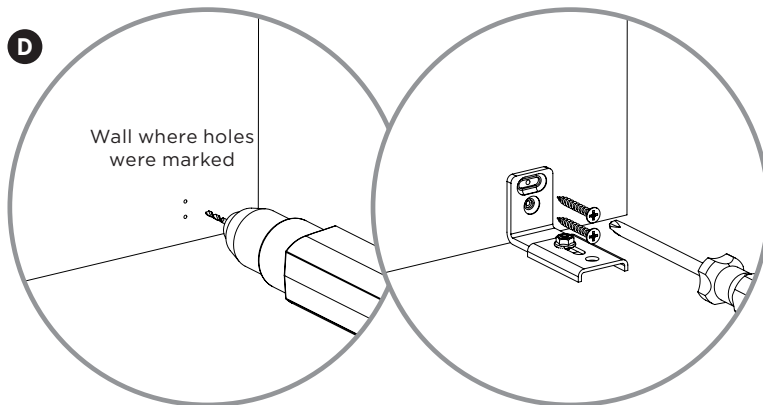
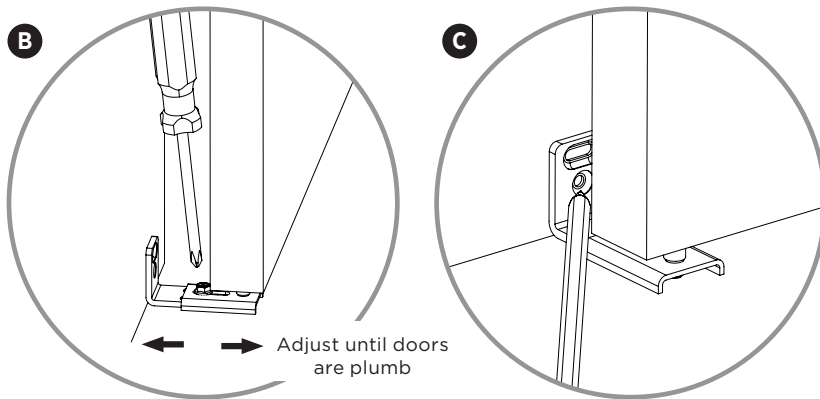
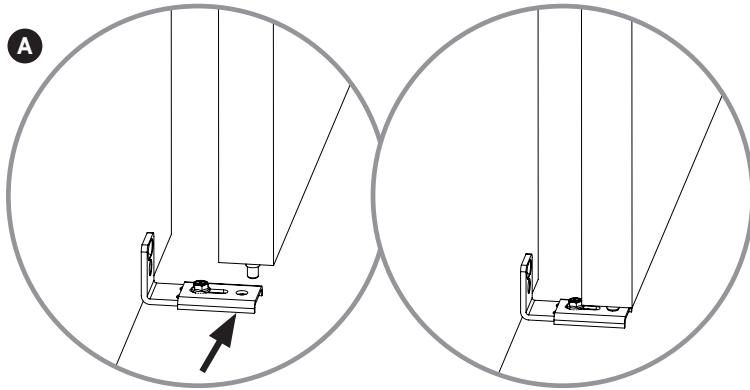
A) Thread an Anti-Jump bolt into the Left and the Right hand wheel strap.

**ATTENTION:** Anti-Jump bolts stop the wheels from jumping off the track. Ensure they are properly installed and tighten as per illustrations below.

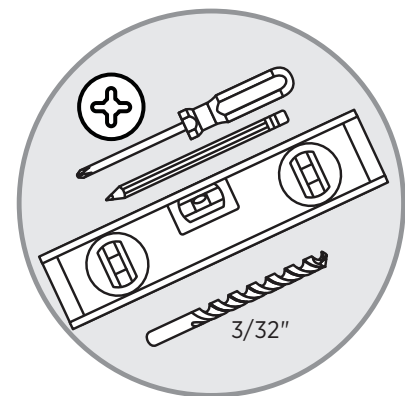


## Easy-Install Bifold Barn Door

### STEP 16 Locate the Bottom Pivot Bracket(s)



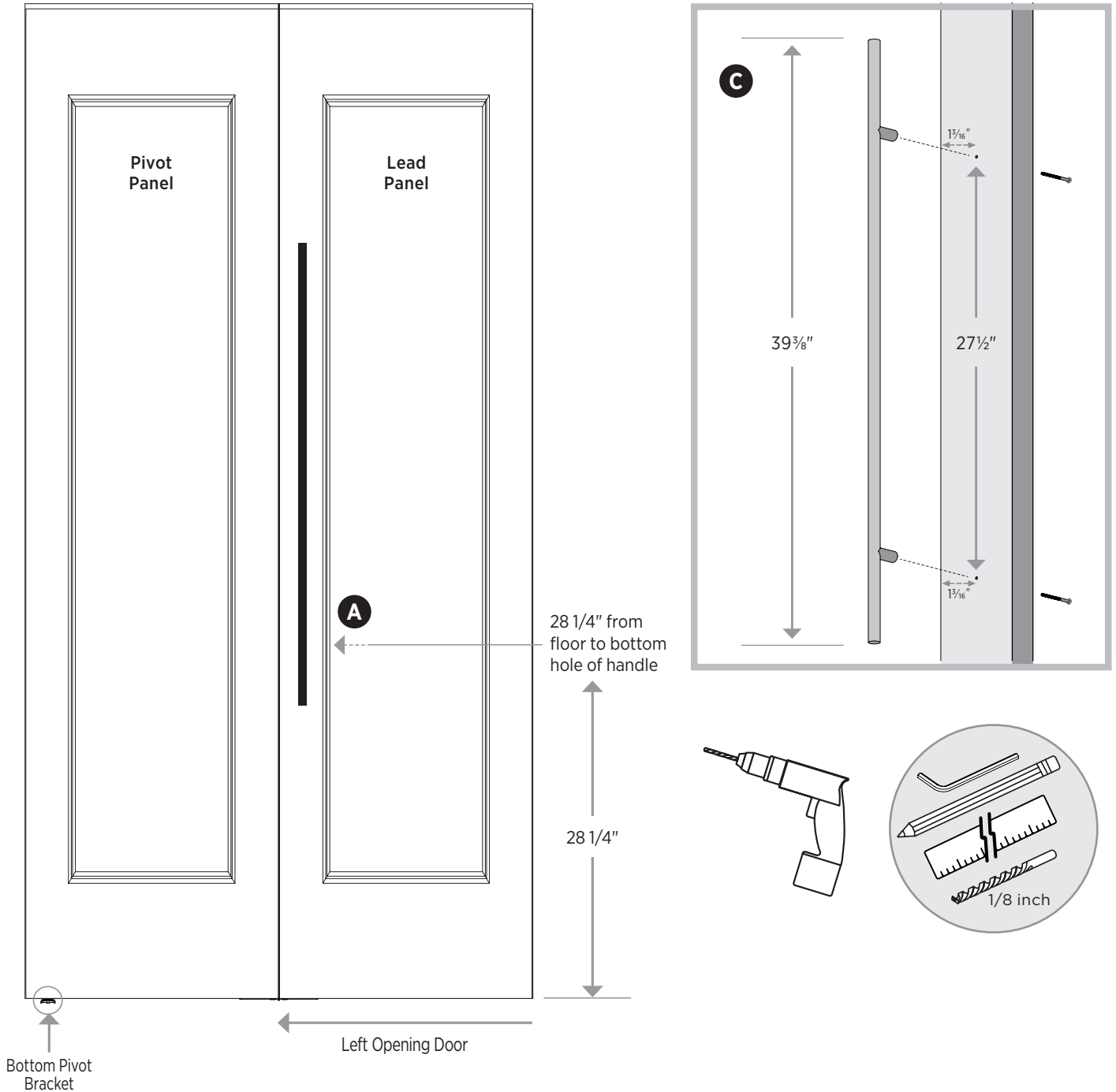
- A)** With the door(s) still in the closed position, depress the Bottom Pivot and slide the Bottom Pivot Bracket underneath so the Bottom Pivot hole aligns with the Bottom Pivot pin and the vertical flange sits flush against the wall or trim.
- B)** Use a level to check the door is plumb. If not, then move the door slightly from the wall to gain access to the plate screw, loosen the screw and reposition the Bottom Plate until the door is plumb, then re-tighten the screw.
- C)** Mark the vertical flange hole locations on the wall or casing, then remove the Bottom Pivot Bracket(s).
- D)** Open the door(s) and pre-drill the screw hole locations marked with a 3/32" drill bit, then affix the Bottom Pivot Bracket(s) with screws provided.



# Easy-Install Bifold Barn Door

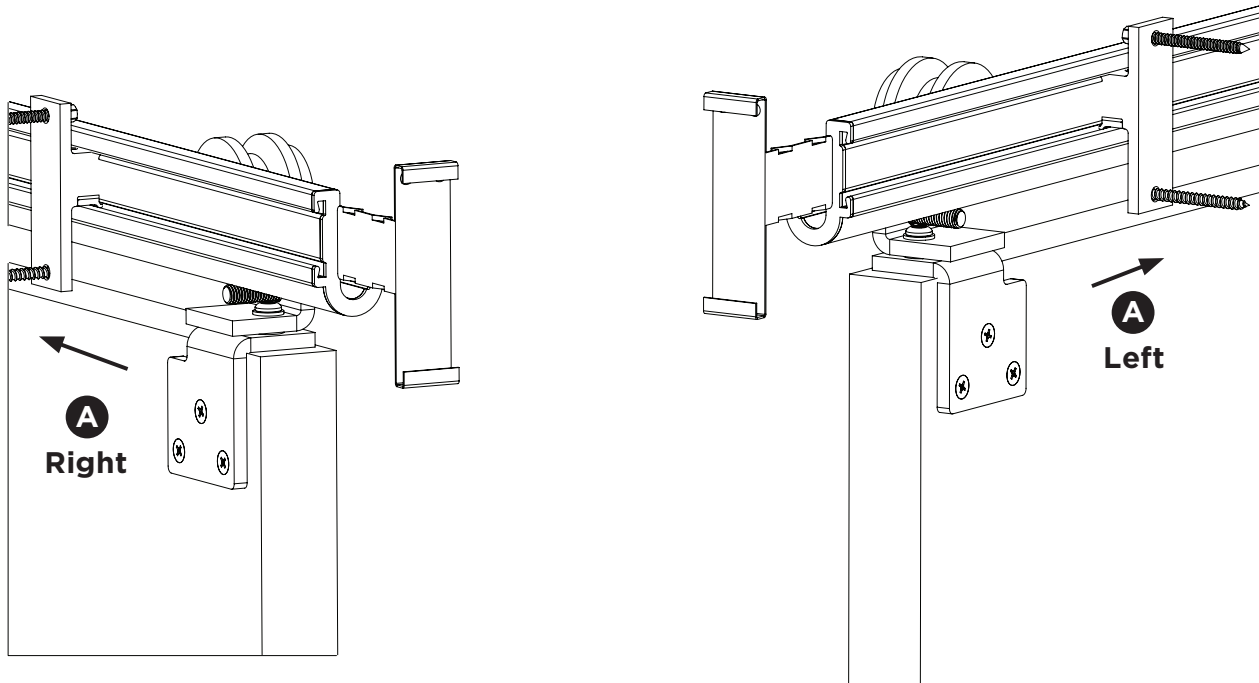
## STEP 17 Attach Door handle

- A) Install the handle on the horizontal center stile of the lead panel.
- B) Drill all marked hole locations with a 1/8" drill bit.
- C) Affix the handle to the lead panel with the screws provided.

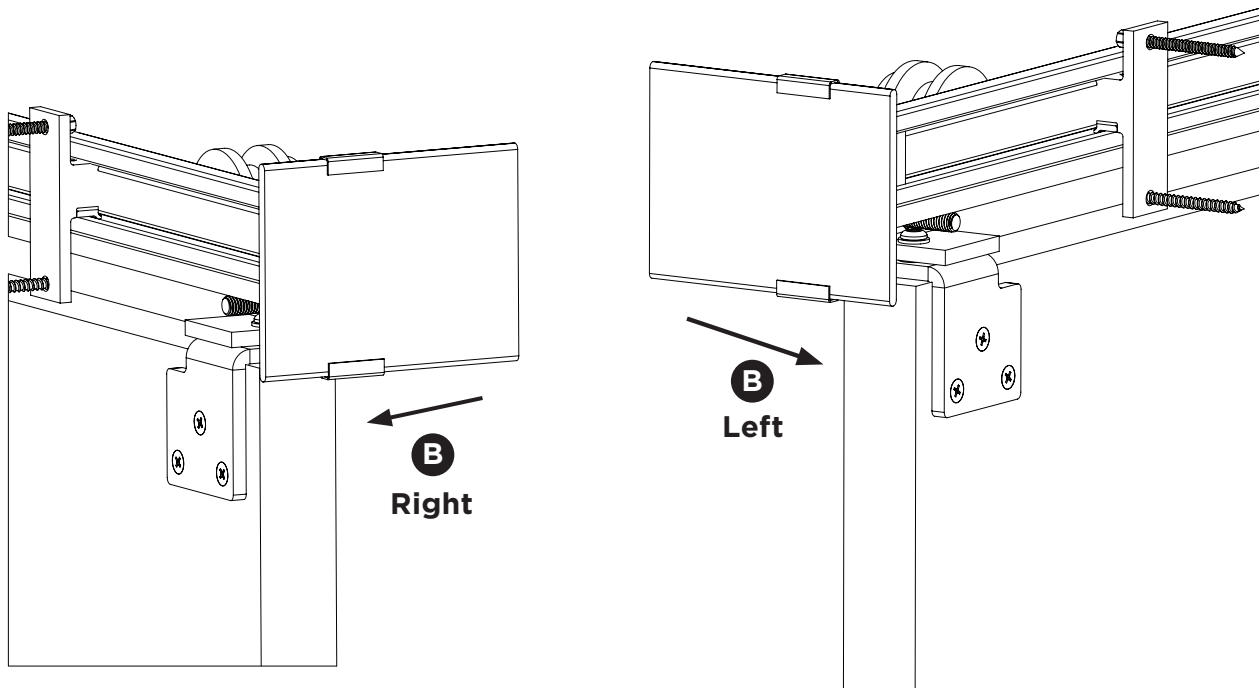


## Easy-Install Bifold Barn Door

### STEP 18A Attach Side Fascia (Illustrations viewed below are from behind of track. Optional if you wish to conceal the track)



**A)** Attach the Side Fascia Brackets into the ends of the track channel as shown.



**A)** Slide the Side Fascia into the Side Fascia Brackets.

**B)** Adjust the side Fascia in or out to align with the front fascia once installed

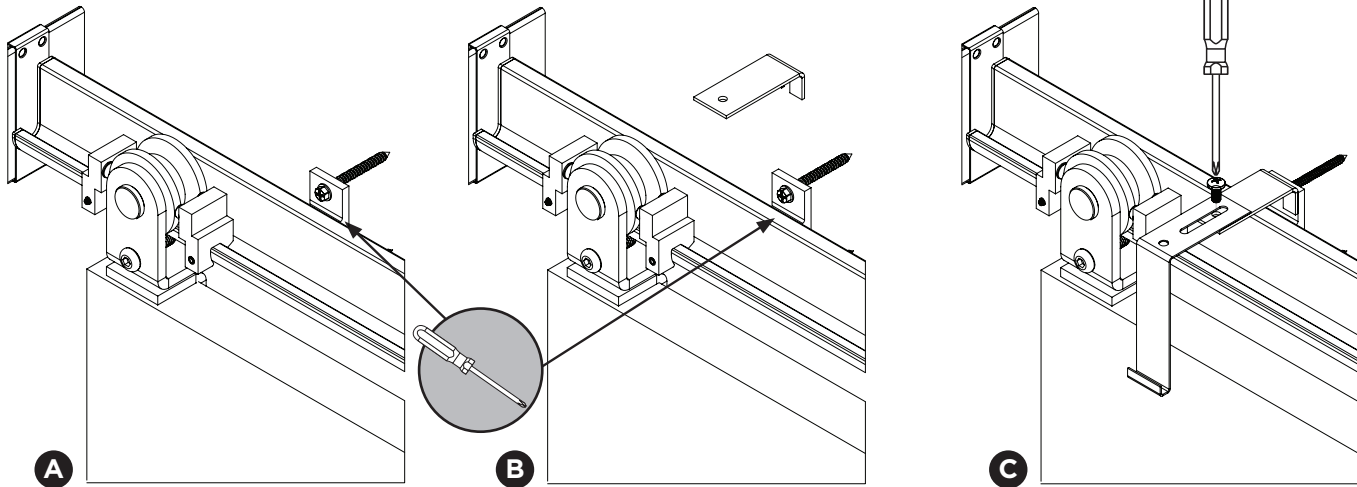
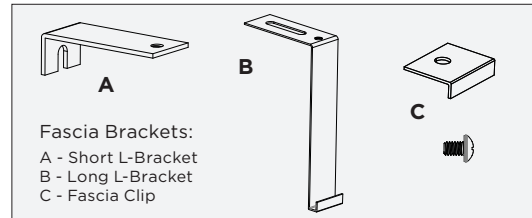
**NOTE:** Make adjustments to the side fascia and front fascia manually to align the edge to give a boxed look



## Easy-Install Bifold Barn Door

### STEP 18B Attach Front Fascia (Optional if you wish to conceal the track)

**NOTE:** If you choose to paint the Fascia do so before installation. Allow sufficient time to dry.



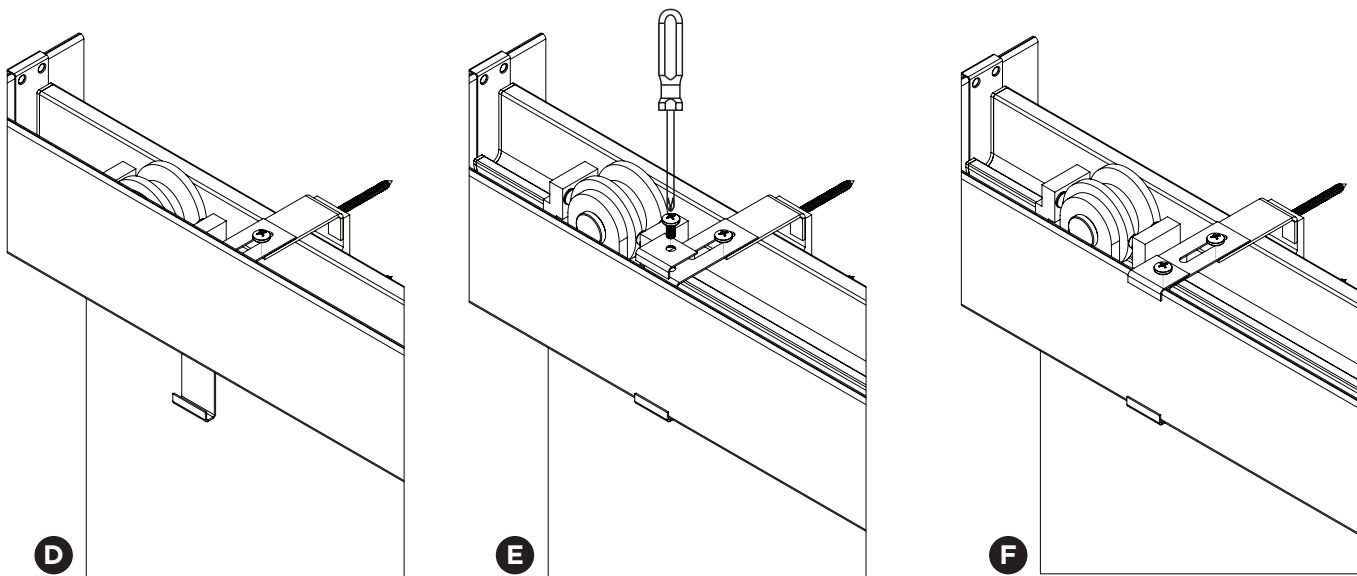
**A)** Slightly loosen the top screw on one of the Wall Brackets.

**NOTE:** Loosen top screw on only 1 bracket at a time.

**B)** Slide the cut slot on Fascia Bracket (A) into the top screw and tighten the Wall Bracket top screw.

**NOTE:** Repeat **Step A & B** until all the Fascia Bracket (A's) are attached to the Wall Brackets.

**C)** Attach Fascia Bracket (B) to the Fascia Bracket (A) so the two pieces are now in line with each other and loosely tighten the screw within the slot.



**D)** Drop Fascia into Fascia Bracket (B).

**NOTE:** Bracket should hold the Fascia, but ensure it does not fall.

**E)** Attach the Fascia Clip (C) into the remaining top hole and tighten the top screw.

**F)** Adjust the Fascia and Track distance to your liking by sliding the slot in or out as shown in **Step F**. Secure this position by tightening the top screw on the Fascia Bracket.

**NOTE:** Do not over tighten Fascia screws as this may strip the bracket threads

## 5 YEAR LIMITED WARRANTY

Products warrantied against manufacturing defects for up to five years from the purchase date.  
The warranty applies only to the original purchaser of the product.

If a product is determined to be defective due to a manufacturing defect, a replacement product will be supplied. The scope of the warranty is limited to replacing the product and does not include labor required to install, repair or deliver, or any costs related to removing the existing product.

This warranty is void in the event that the product is damaged in transit, or if damage or failure is caused by abuse, misuse, storage of products in an improper environment, abnormal usage, faulty installation, failure to follow installation instructions, damage in an accident, improper maintenance, or any repair.

We reserve the right to inspect any claim prior to issuing credit.



Scan for video  
instructions.



---

110 Walker Drive  
Brampton ON, L6T 4H6  
Canada

---

1141 Ryder Street  
Tupelo MS, 38804  
USA

**[www.renin.com](http://www.renin.com)**  
**[info@renincorp.com](mailto:info@renincorp.com)**

---

Follow us

