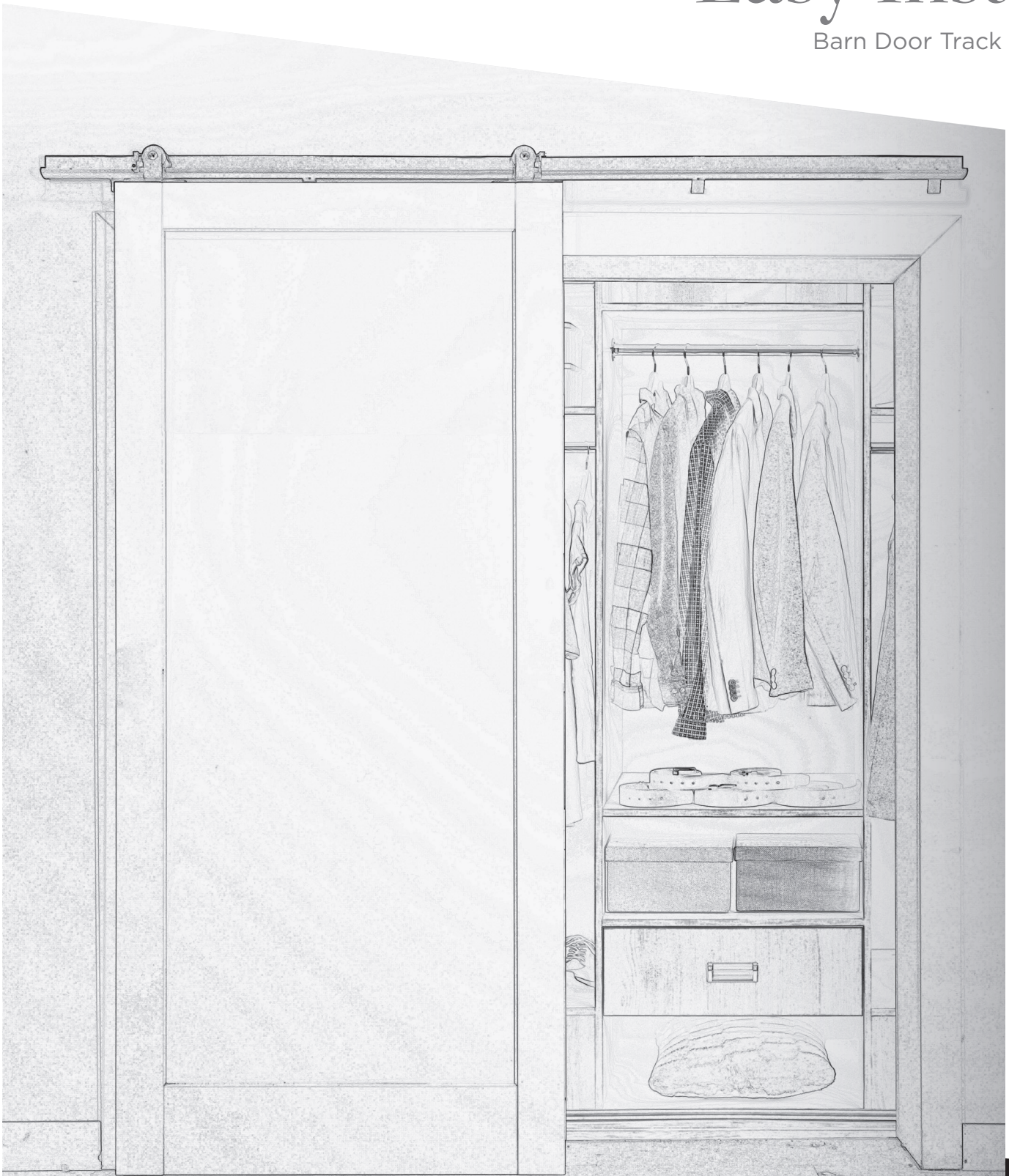


Easy-Install

Barn Door Track System

INSTALLATION INSTRUCTIONS



MKTD4669



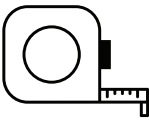

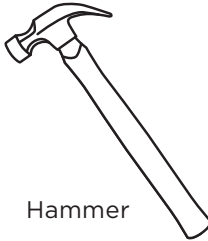
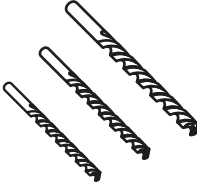
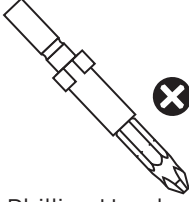
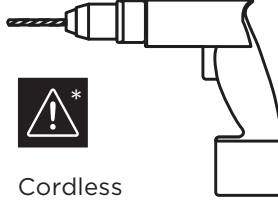
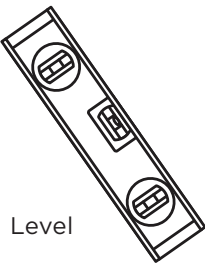


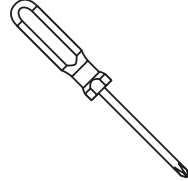

Scan for video instructions.



REQUIRES
TWO
PEOPLE

Easy-Install Barn Door Track System

TOOLS REQUIRED (NOT PROVIDED)

 Measuring Tape	 Pencil	 Hammer	 1/8", 1/4", 3/8" Drill Bits	 Phillips Head Drill Bit	 Cordless Drill
 Level	 Step Ladder	 Stud Finder	 Phillips Screwdriver	 WARNING: Drilling, sawing, sanding or machining wood products can expose you to wood dust, a substance known to the State of California to cause cancer. Avoid inhaling wood dust or use a dust mask or other safeguards for personal protection. For more information go to www.P65Warnings.ca.gov/wood .	

PLEASE READ CAREFULLY

- Read all instructions carefully.
- Protect your eyes by wearing safety goggles.
- Keep the installation area free of clutter.
- Follow each step completely before starting the next step.

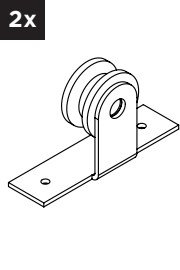
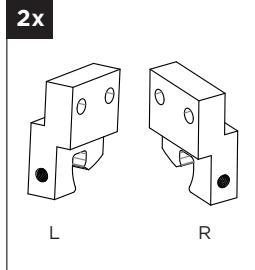
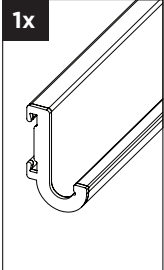
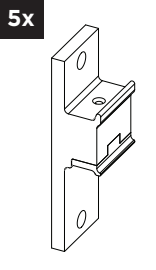
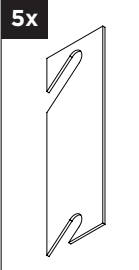
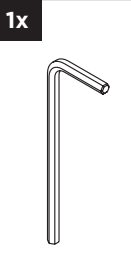
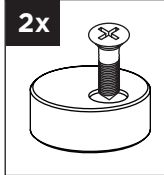
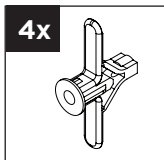
IMPORTANT!

VERIFY THAT ALL PARTS ARE INCLUDED IN THE PACKAGING. IF ANY PARTS ARE MISSING, DO NOT RETURN THIS PRODUCT TO THE STORE.

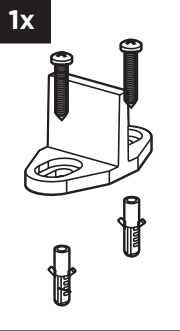
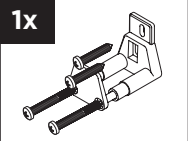
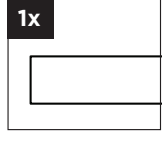
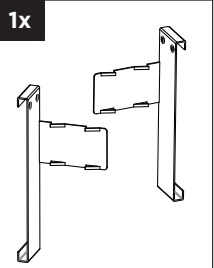
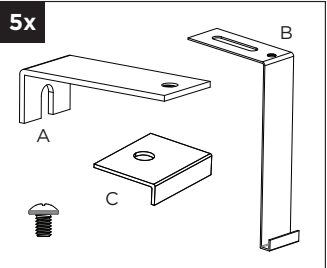
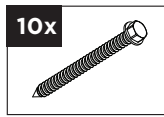
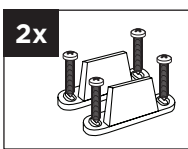
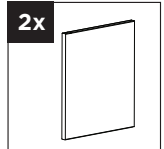
FOR PARTS ASSISTANCE, PLEASE CALL 1-800-493-5263 BETWEEN 8:30 AM AND 4:30 PM EST, MONDAY TO FRIDAY.

SUPPORT IS PROVIDED IN ENGLISH, FRENCH AND SPANISH.

PACKAGE CONTENTS

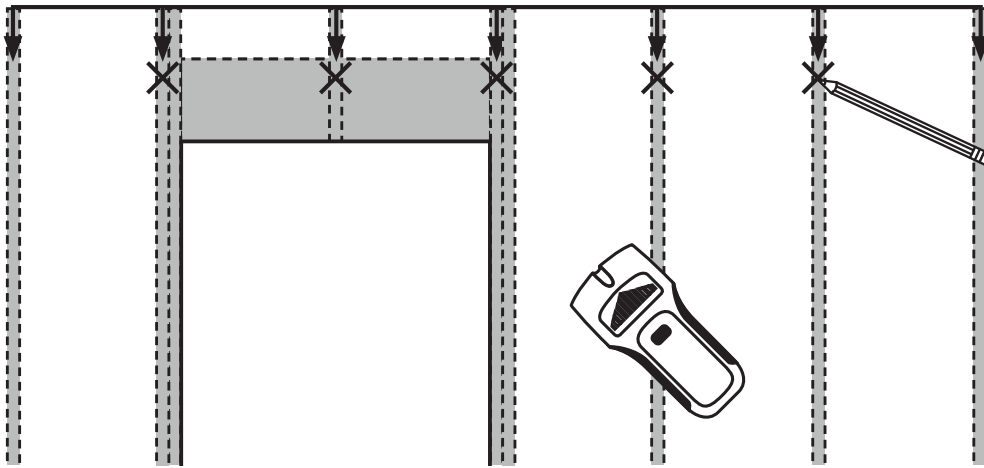
 2x Top Mount Rollers	 2x End Stops L R	 1x Track	 5x Wall Brackets	 5x Shim	 1x Allen Key	 2x Anti-Jump Block
						 4x Wall Anchors

GUIDE OPTIONS

 1x Floor Door Guide	 1x Wall Door Guide	 1x Front Fascia	 1x Side Fascia Clips (Right & Left)	 5x Fascia Brackets: A - Short L-Bracket B - Long L-Bracket C - Fascia Clip	 10x Screws
 2x Floor Door Guides	 2x Side Fascia cover				

STEP 1 Locate and mark the Studs

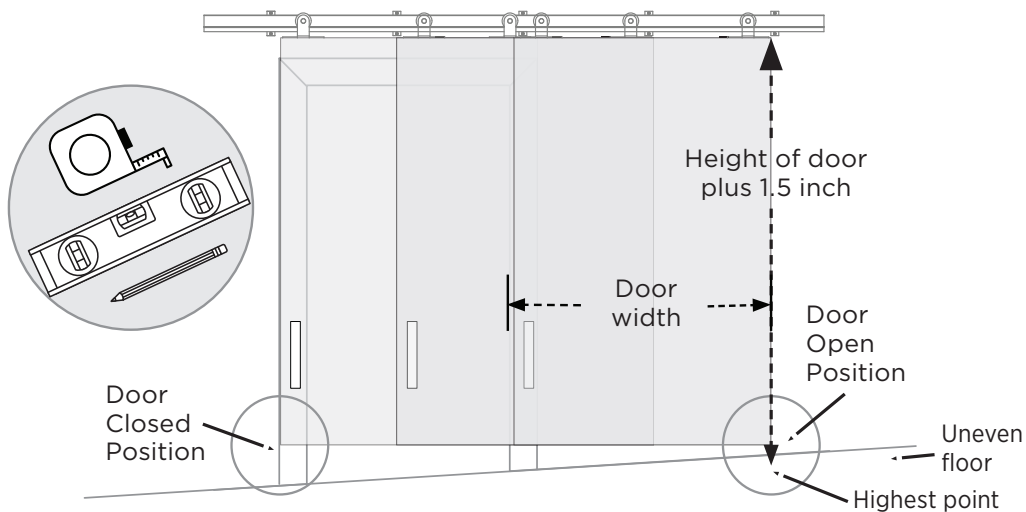
Determine which direction your door will travel, and locate the appropriate wood or metal studs in the area of installation to mount the Easy-Install Bracket. Mark these studs for future use.



NOTE:

- You must hit a minimum of 3 Studs to ensure your hardware track will support the weight of your door.
- If your opening has casings, shims are provided to level bowed wall or allow the hardware to clear the casing. (Max. 3/4" casing thickness)

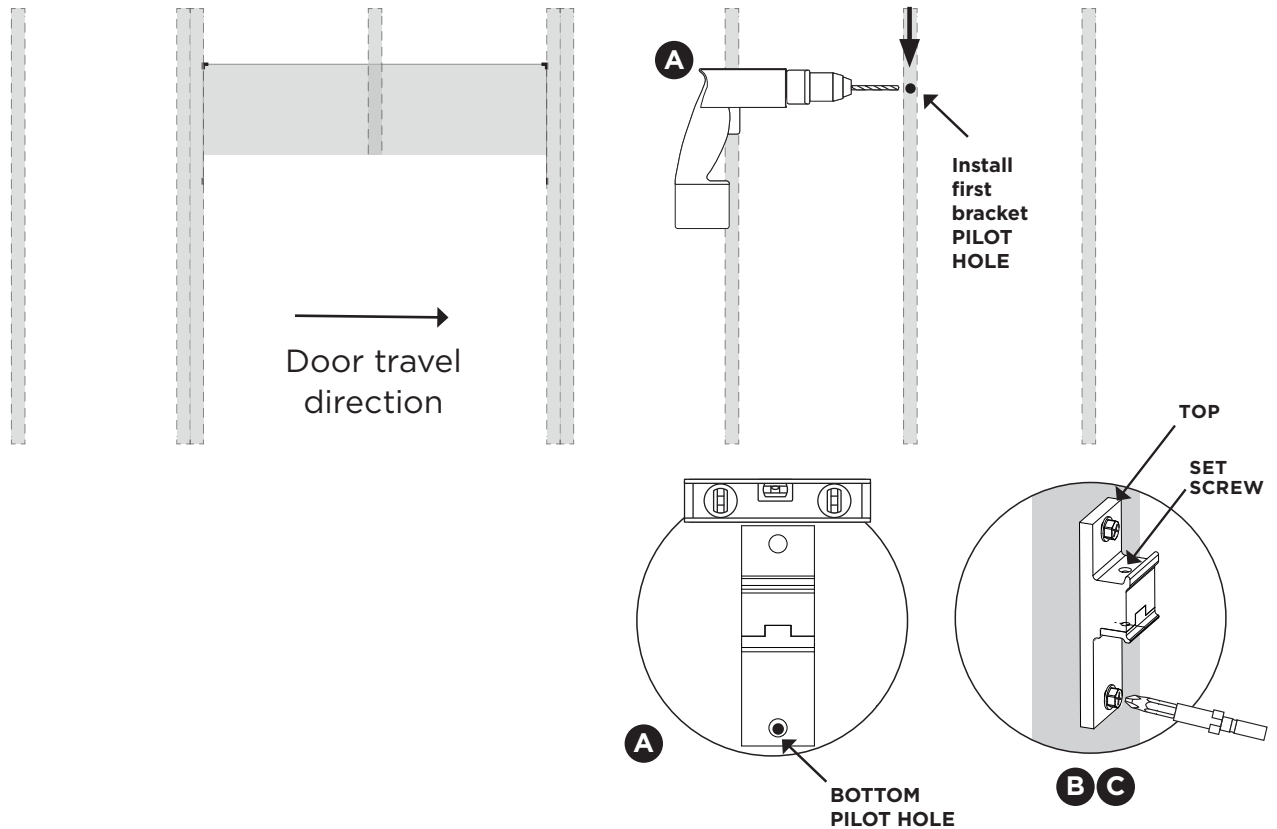
STEP 2 Check For Level Floor



- A)** Use a Level to check if your floor is uneven before making measurements.
- B)** If your floor is uneven, you need to measure at the open and closed positions of the Barn Door to ensure there is enough space. Select the highest point on the floor and measure up the height of your door +1.5". Mark the nearest stud (this should be either the furthest right or left stud in the door travel area).
- NOTE:** This will be the height of the bottom hole of all the Wall Brackets

STEP 3 First Wall Bracket installation

Start with the height mark made on your wall in Step 2B and install the first wall bracket on the right. (See Step 3B)



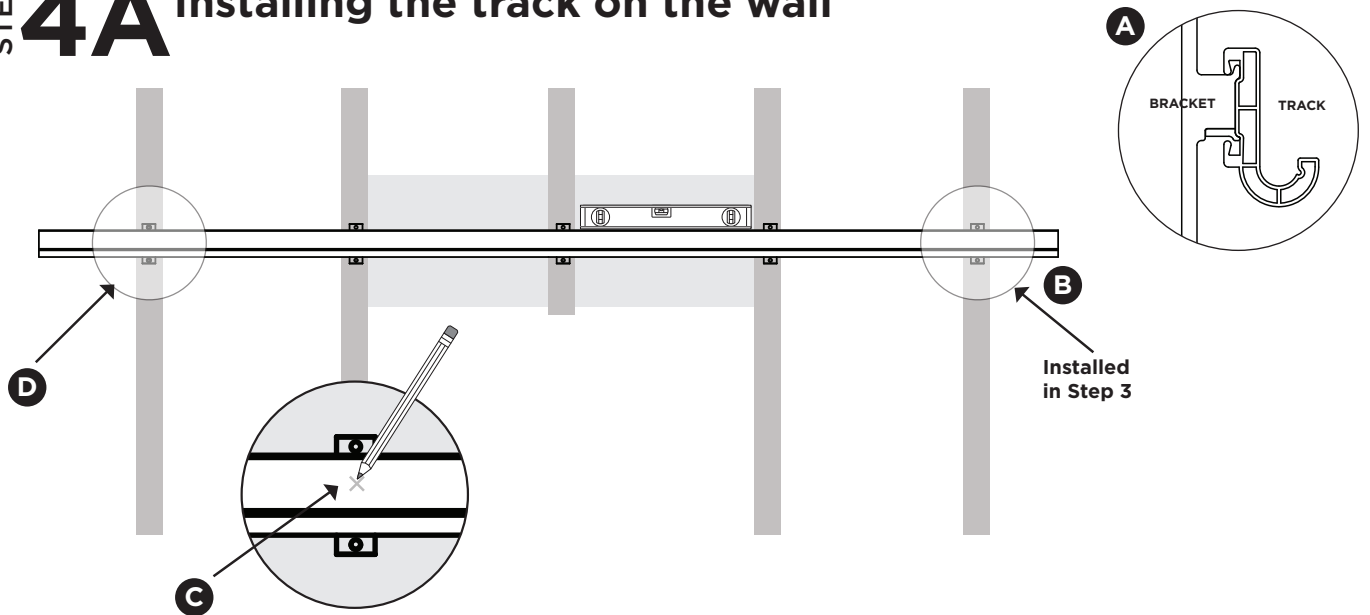
NOTE: The Following instructions illustrate a door opening to the right. For opening to the left installations, reverse the brackets to match instructions.

- A)** Use a 1/8" bit to drill a pilot hole on the mark you made on the wall in Step 2B. Ensure the Bracket is level before inserting the fastening screw.
- B)** Use a Phillips head screwdriver bit to fasten the hex head screw to the bottom hole of the wall bracket.

NOTE: Be careful to apply enough pressure to ensure the Phillips screwdriver bit does not slip off the hex screw head and strip the paint. If this happens, you should be able to touch up with most paints

- C)** Use a 1/8" bit to drill a pilot hole on the top hole of the wall bracket and use a phillips screw driver bit to fasten the hex head screw to the top hole of the wall bracket.

STEP 4A Installing the track on the wall



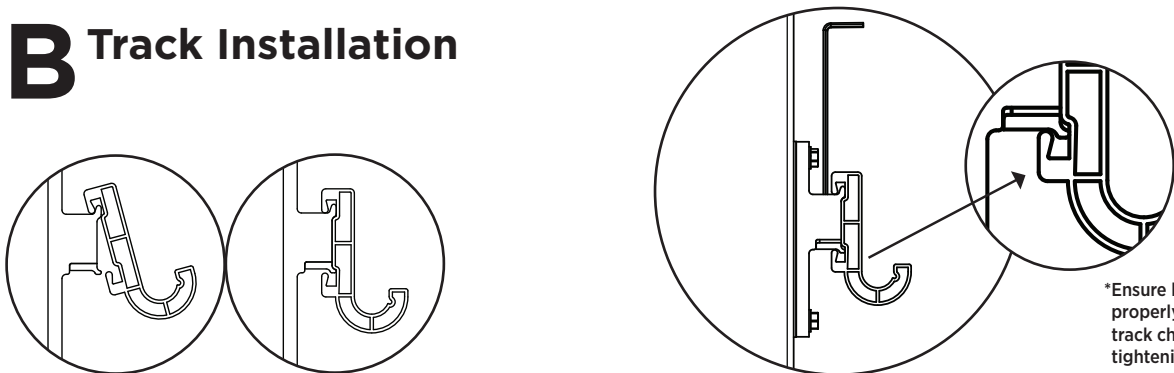
- A) Slide all remaining wall brackets into the back channel of the Track.
- B) Install the Track on to the wall bracket installed in Step 3. (See Step 4B for track installation)
- C) Ensuring the Track is level, mark the stud locations on the Track using a pencil.
- D) Install the 2nd wall bracket on the left to hold the Track in place making it easier to install the remaining wall brackets. Tighten set screw to secure the bracket to the track.

IMPORTANT: Ensure track is level before installing 2nd wall bracket.

NOTE: Use a ladder and another person to help with installation.

If brackets are unable to slide on track slightly loosen the screws on the left & right wall brackets to create space between the track & the wall.

STEP 4B Track Installation

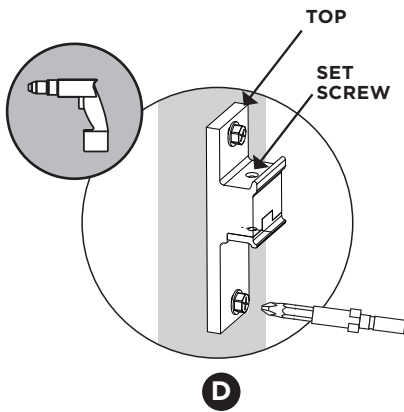


- A) Angle the track to a 30-degree angle and clip the back of the track to the first wall bracket that is on the wall and snap the track down.

- B) Tighten the set screw at the top of the wall bracket at each end of the track using the provided Allen key that locks the wall bracket to the track. Do not overtighten. Ensuring the Track is level.

STEP 5 Installing remaining Wall Brackets

- A) Slide each remaining wall bracket over the marked stud locations on the track. Brackets should be centered on the stud.
- B) Before fastening remaining wall brackets, verify for a bowed wall. If wall is bowed add shims provided behind the wall brackets to prevent the track from bowing. (See Shim Installation section)
- C) Use a 1/8" bit to drill a pilot hole on the top and bottom hole of the wall brackets.

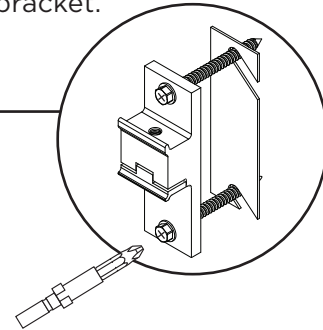


- D) Use a Phillips head screwdriver bit to fasten the hex head screw to the top and bottom hole of the wall bracket.

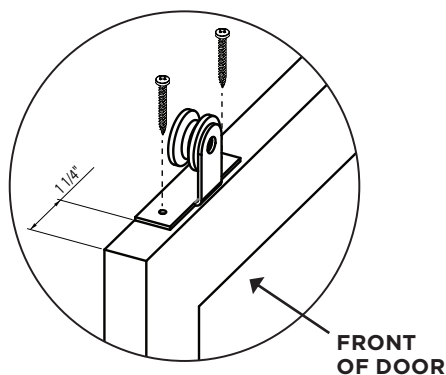
IMPORTANT: Once wall brackets are installed tighten set screws to secure bracket to the track. (See Step 4B)

SHIM INSTALLATION:

Check for bowed wall. If there is any bowing that causes gaps between the back side of the wall brackets and the wall, please make note of these locations, and use the provided Shims as necessary. Multiple shims can be used on 1 bracket.

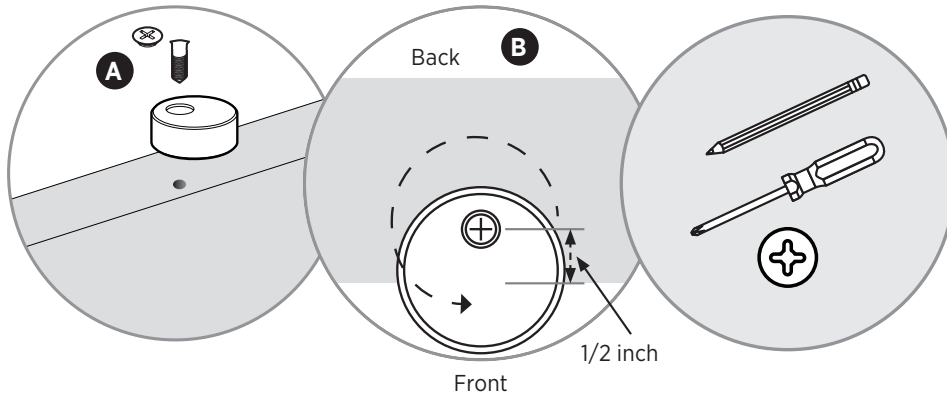


STEP 6 Install Hangers



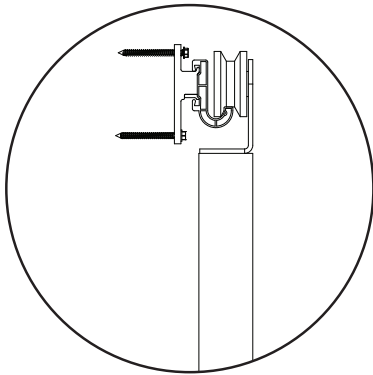
- A) Measure 1 1/4" from edge of door, mark holes. Using the Philips Head Drill Bit, fasten in the countersunk screws into the holes of the Top Mount rollers.
- B) Repeat on the other end of the door with the second roller.

STEP 7A Installing the Anti-Jump Blocks on the door

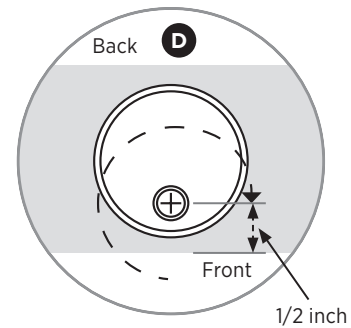


- A)** Loosely secure the Anti-Jump Blocks 1/2" from the front edge of the door with a #2 phillips screwdriver
- B)** Rotate the blocks outwards to allow the door to be mounted onto the Track.

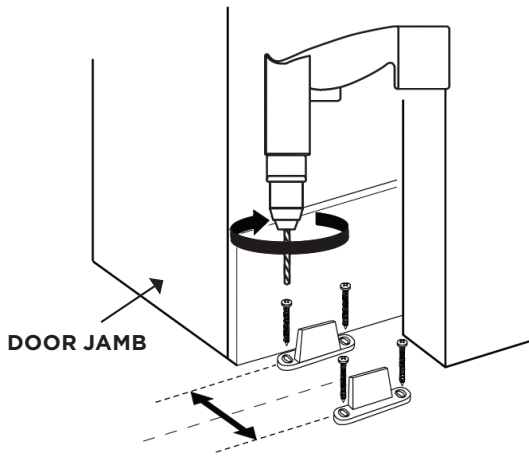
STEP 7B Place door on Track



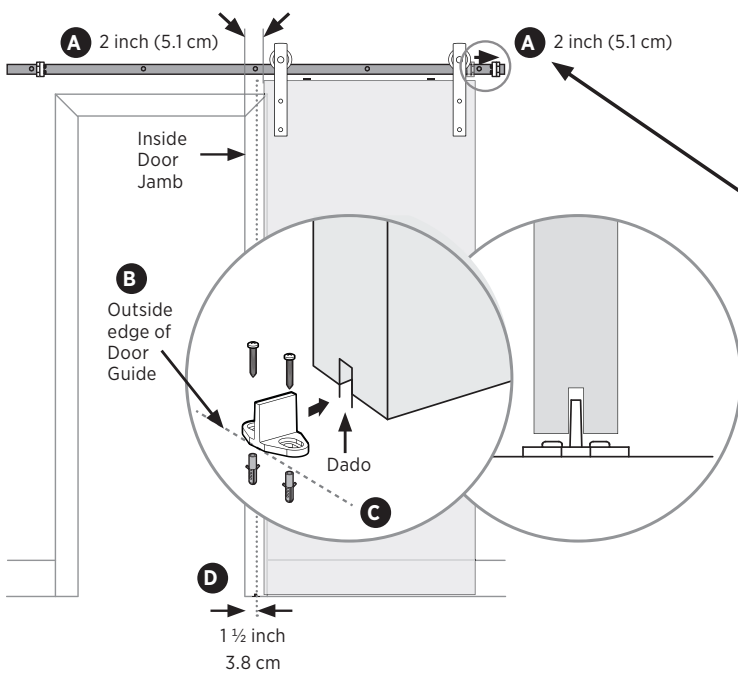
- A)** Lift the door so the curved portion of the J-Track is between the roller and the top of the door.
- B)** Position the door so that the grooved portion of the wheel is sitting on the J.
- C)** Lower the door onto the track and gently return it to its vertical hanging position.
- D)** Rotate the Anti-Jump Block inwards to lock the door on the track.
- E)** Tighten screw on Anti-jump block to secure in place.



STEP 8 Installing the Floor Guides



- A)** Slide the door over 2 inches (5.1 cm) past the door jamb to prepare for the Floor Guide.
- B)** Position the outside edge of the Floor Guide 1 1/2 inch (3.8cm) from the jamb, adjacent to the dado slot and mark the location of the guide on the floor.
- C)** If required, pilot hole drill 1/4 inch for the floor anchors or secure directly into the floor.



Note: A door guide helps to keep your door stable and limits swinging. The following instructions provided are for the recommended floor door guide. If you prefer to install a wall door guide see below for optional instructions.

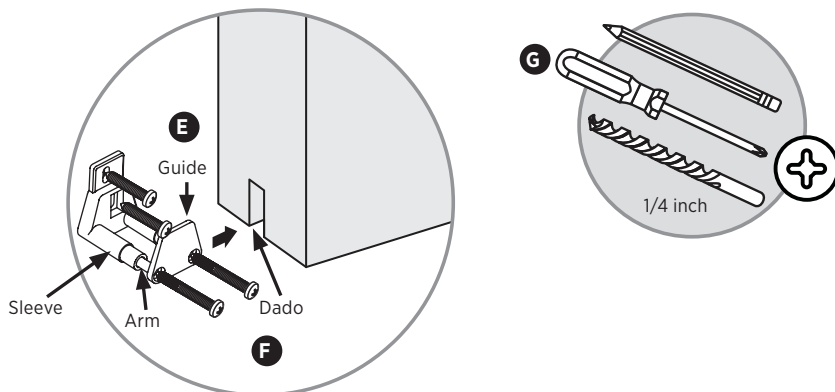
FLOOR DOOR GUIDE (Recommended)

- A)** Slide the door over 2 inches (5.1 cm) past the door jamb in order to prepare for the Floor Guide. Loosen the Right End Stop and move it over 2 inches in order to move door.
- B)** Position the outside edge of the Floor Guide 1 1/2 inch (3.8 cm) from the jamb, adjacent to the dado slot and mark the location of the guide on the floor.
- C)** If required, pilot hole drill 1/4 inch for the floor anchors or secure directly into the floor.

WALL DOOR GUIDE

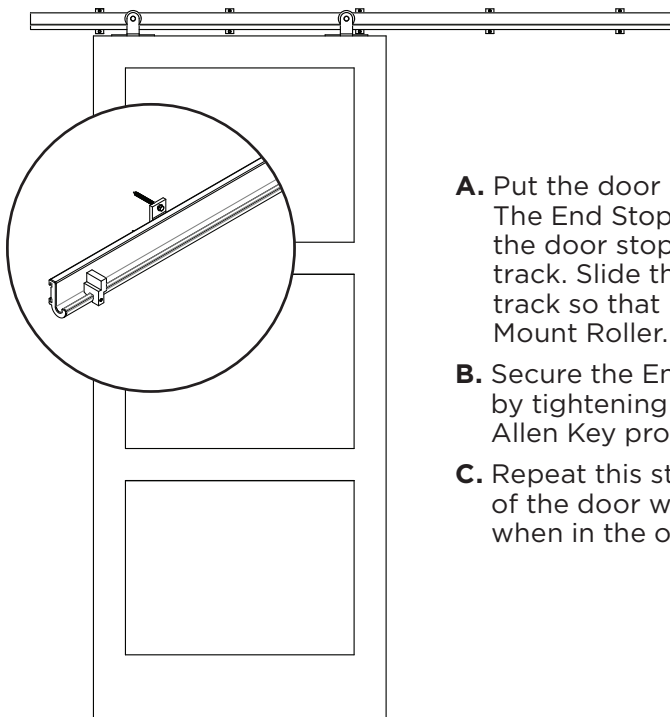
- D)** With the screws provided secure the guide 1 1/2 inch (3.8 cm) from the door jamb directly into the baseboard or wall.
- E)** Line up the guide with Dado location by pushing Guide arm in or out until you have the Guide lined up with Dado.
- F)** Pre-insert the screws on the Wall Door Guide Arm by hand.
- G)** Tighten the pre-inserted screws with a #2 Phillips Screwdriver.

Installing the Wall Door Guide (Optional)

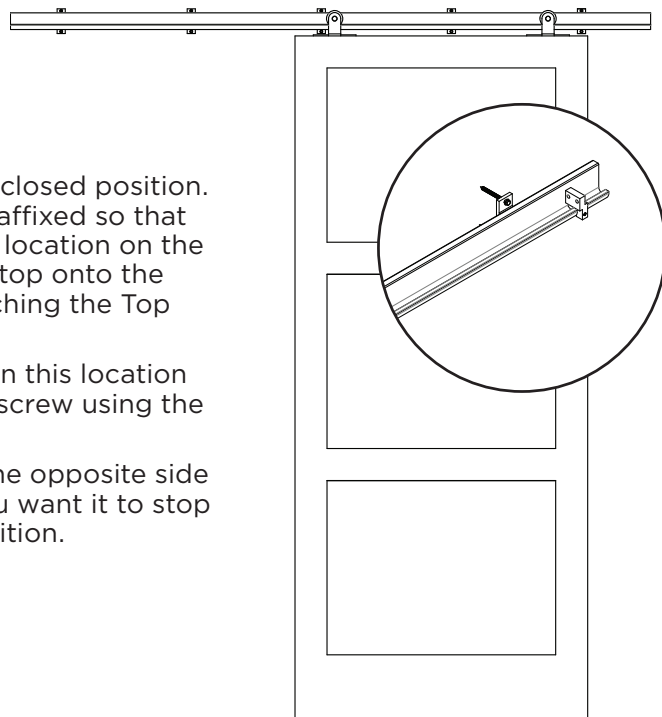


STEP 9 Secure the End Stops

Left End Stop



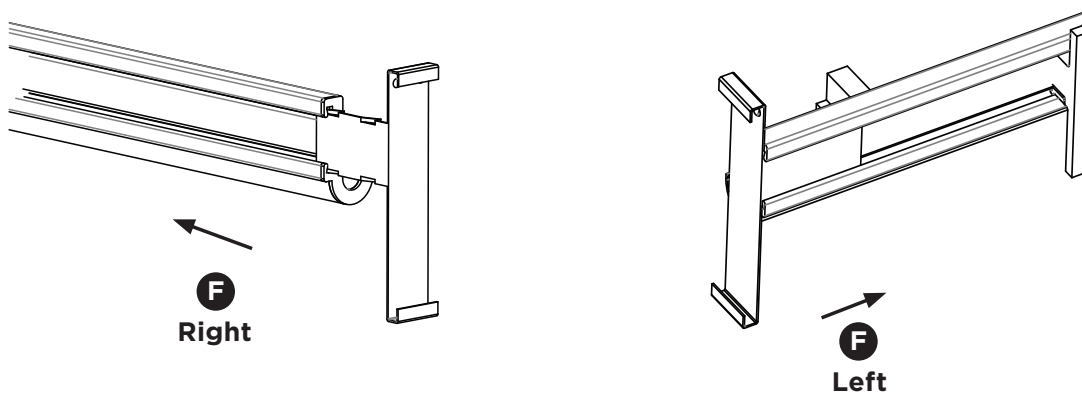
Right End Stop



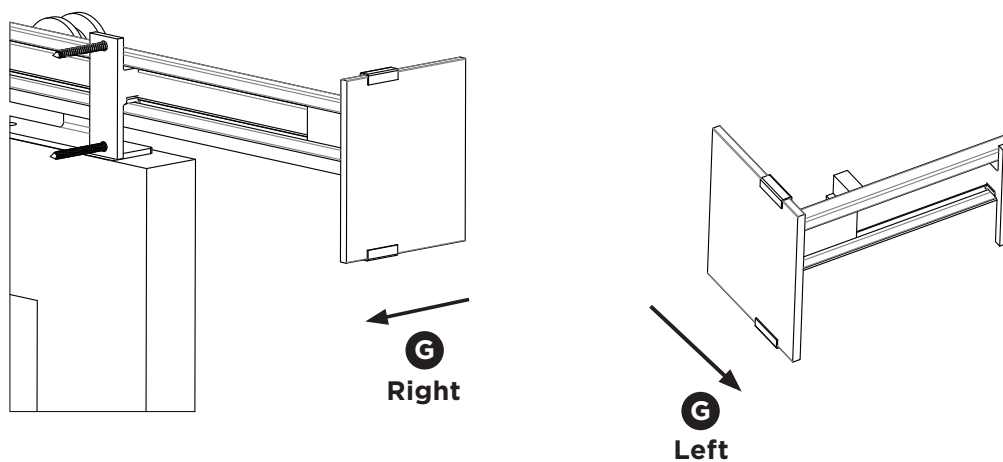
- A.** Put the door into the closed position. The End Stop will be affixed so that the door stops in this location on the track. Slide the End Stop onto the track so that it is touching the Top Mount Roller.
- B.** Secure the End Stop in this location by tightening the set screw using the Allen Key provided.
- C.** Repeat this step on the opposite side of the door where you want it to stop when in the open position.

STEP 10A Attach Side Fascia

(Illustrations viewed below are from behind of track)



F) Attach the Side Fascia Brackets into the ends of the track channel as shown.



G) Slide the Side Fascia into the Side Fascia Brackets.

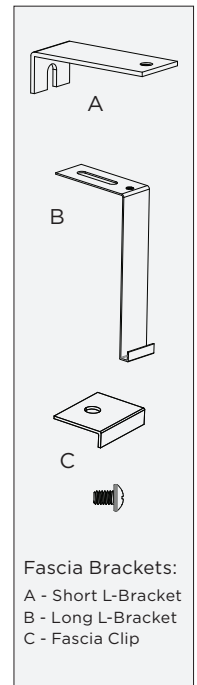
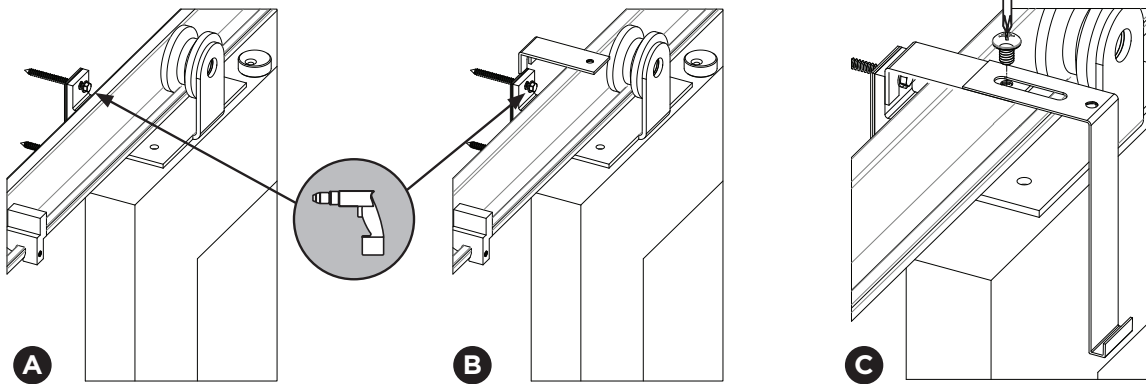
H) Adjust the Side Fascia in or out to align with the front Fascia.

NOTE: Make adjustments to the side fascia and front fascia manually to align the edge to give a boxed look

STEP 10B Attach Front Fascia

(Optional if you wish to conceal the track)

NOTE: If you choose to paint the Fascia do so before installation. Allow sufficient time to dry.



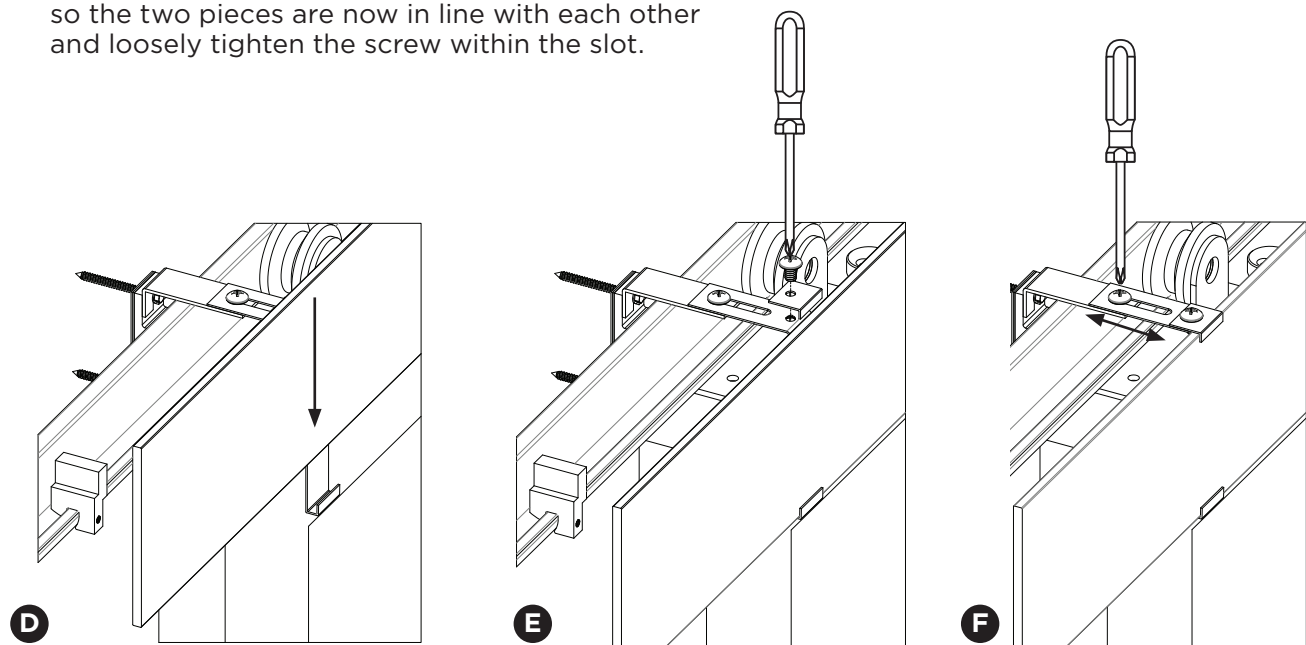
A) Slightly loosen the top screw on one of the Wall Brackets.

NOTE: Loosen top screw on only 1 bracket at a time

B) Slide the cut slot on Fascia Bracket A into the top screw and tighten the Wall Bracket top screw.

NOTE: Repeat Step A until all the Fascia Bracket A's are attached to the Wall Brackets.

C) Attach Fascia Bracket B to the Fascia Bracket A so the two pieces are now in line with each other and loosely tighten the screw within the slot.



D) Drop Fascia into Fascia Bracket B.

NOTE: Bracket should hold the Fascia, but ensure it does not fall.

E) Attach the Fascia Clip (C) into the remaining top hole and tighten the top screw.

F) Adjust the Fascia and Track distance to your liking by sliding the slot in or out as shown in step 10F. Secure this position by tightening the top screw on the Fascia Bracket.

5 YEAR LIMITED WARRANTY

Products warranted against manufacturing defects for up to five years from the purchase date.
The warranty applies only to the original purchaser of the product.

If a product is determined to be defective due to a manufacturing defect, a replacement product will be supplied. The scope of the warranty is limited to replacing the product and does not include labor required to install, repair or deliver, or any costs related to removing the existing product.

This warranty is void in the event that the product is damaged in transit, or if damage or failure is caused by abuse, misuse, storage of products in an improper environment, abnormal usage, faulty installation, failure to follow installation instructions, damage in an accident, improper maintenance, or any repair.

We reserve the right to inspect any claim prior to issuing credit.



Scan for video
instructions.



110 Walker Drive
Brampton ON, L6T 4H6
Canada

1141 Ryder Street
Tupelo MS, 38804
USA

1-800-493-5263

www.renin.com
info@renincorp.com

Follow us

