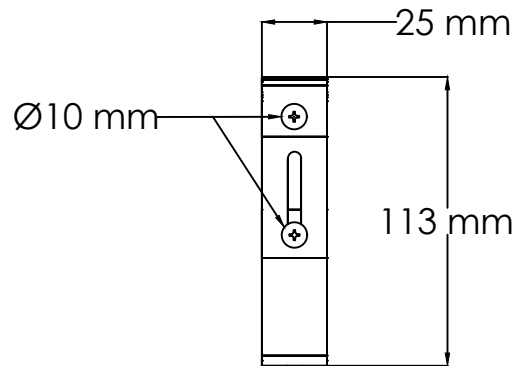
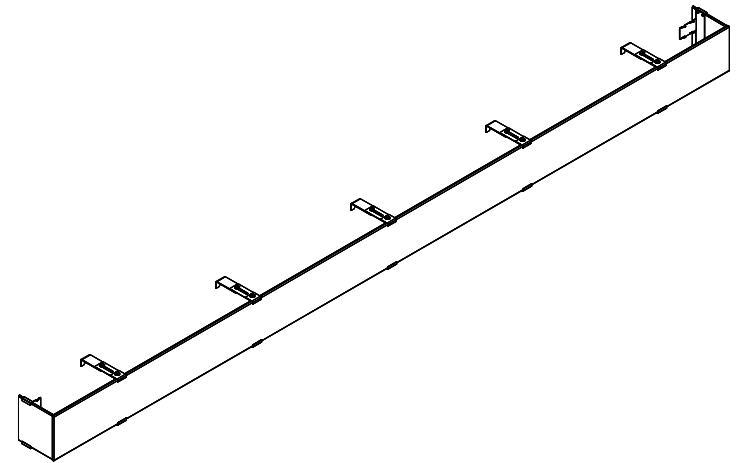


*Not to Scale



*Not to Scale



ALL DRAWINGS DESIGN, SPECIFICATIONS AND COPIES FURNISHED BY RENIN CANADA ARE AND SHALL REMAIN AS ITS EXCLUSIVE PROPERTY AND ARE NOT TO BE USED ON ANY OTHER PROJECT OR REPRODUCED, COPIED, ALTERED AND MODIFIED IN WHOLE OR IN PART AND FOR WHATEVER PURPOSE INTENDED WITHOUT THE WRITTEN CONSENT OF THE OWNER (RENIN CANADA). THEY ARE TO BE RETURNED TO RENIN UPON REQUEST OR UPON THE COMPLETION OF THE PROJECT.

REVIEW OF THE SUBMISSION IS FOR COMPLIANCE WITH GENERAL INTENT OF THE CONTRACT. THIS REVIEW DOES NOT RELIEVE THE SUB-CONTRACTOR, SUPPLIER OR MANUFACTURER OF RESPONSIBILITY FOR ERROR OR OMISSIONS IN THE SUBMISSION OR RESPONSIBILITY OF MEETING ALL REQUIREMENTS OF THE CONTRACT DOCUMENTS. ANY DEVIATION FROM THE CONTRACT DOCUMENTS INITIATED BY THE SUB-CONTRACTOR, SUPPLIER OR MANUFACTURER SHALL BE AT HIS SOLE RISK. QUANTITIES AND RETAIL DIMENSIONS ARE SUB-CONTRACTORS OR SUPPLIER RESPONSIBILITY. VERIFY DATA WITH FIELD DIMENSION.

RENIN CANADA ASSUMES NO RESPONSIBILITY AS TO MEASUREMENTS OR DETAIL AFFECTING ANY WORK BUT ITS OWN AND IS NOT RESPONSIBLE FOR ANY ERRORS OCCURRING THROUGH THE USE OF THESE DRAWINGS BY OTHER PARTIES.



110 Walker Drive
Brampton, Ontario L6T 4H6
✉ info@renin.com
🌐 www.renin.com

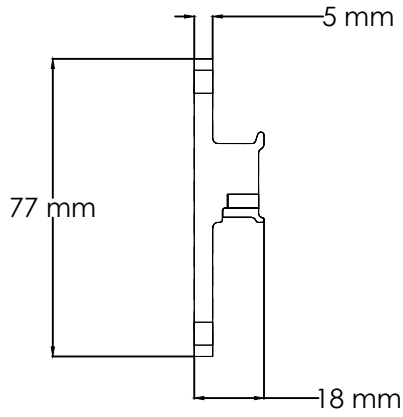
PART NUMBER: -
PRODUCT NAME: Adjusting Fascia Bracket Full Assembly

DESCRIPTION

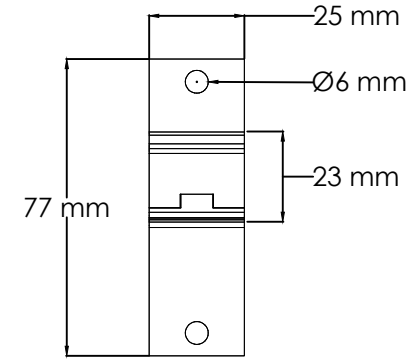
SCALE: NTS
DATE: OCT. 18 2024

SHEET No:

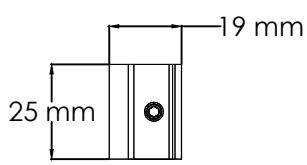
1 of 1



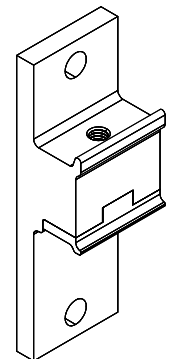
*Not to Scale



*Not to Scale



*Not to Scale



ALL DRAWINGS DESIGN, SPECIFICATIONS AND COPIES FURNISHED BY RENIN CANADA ARE AND SHALL REMAIN AS ITS EXCLUSIVE PROPERTY AND ARE NOT TO BE USED ON ANY OTHER PROJECT OR REPRODUCED, COPIED, ALTERED AND MODIFIED IN WHOLE OR IN PART AND FOR WHATEVER PURPOSE INTENDED WITHOUT THE WRITTEN CONSENT OF THE OWNER (RENIN CANADA). THEY ARE TO BE RETURNED TO RENIN UPON REQUEST OR UPON THE COMPLETION OF THE PROJECT.

REVIEW OF THE SUBMISSION IS FOR COMPLIANCE WITH GENERAL INTENT OF THE CONTRACT. THIS REVIEW DOES NOT RELIEVE THE SUB-CONTRACTOR, SUPPLIER OR MANUFACTURER OF RESPONSIBILITY FOR ERROR OR OMISSIONS IN THE SUBMISSION OR RESPONSIBILITY OF MEETING ALL REQUIREMENTS OF THE CONTRACT DOCUMENTS. ANY DEVIATION FROM THE CONTRACT DOCUMENTS INITIATED BY THE SUB-CONTRACTOR, SUPPLIER OR MANUFACTURER SHALL BE AT HIS SOLE RISK. QUANTITIES AND RETAIL DIMENSIONS ARE SUB-CONTRACTORS OR SUPPLIER RESPONSIBILITY. VERIFY DATA WITH FIELD DIMENSION.

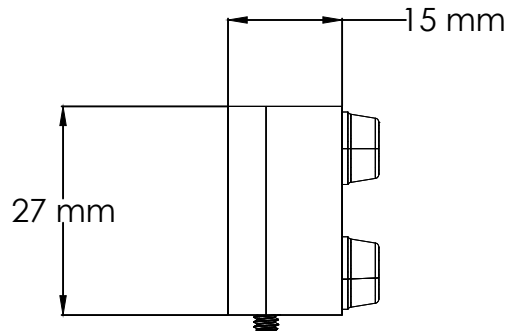
RENIN CANADA ASSUMES NO RESPONSIBILITY AS TO MEASUREMENTS OR DETAIL AFFECTING ANY WORK BUT ITS OWN AND IS NOT RESPONSIBLE FOR ANY ERRORS OCCURRING THROUGH THE USE OF THESE DRAWINGS BY OTHER PARTIES.



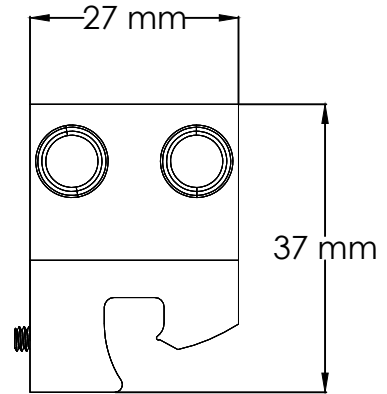
110 Walker Drive
Brampton, Ontario L6T 4H6
✉ info@renin.com
🌐 www.renin.com

PART NUMBER: -
PRODUCT NAME: Easy Install Bracket Assembly w/ Extended Flange
DESCRIPTION: -
SCALE: NTS
DATE: OCT. 18 2024

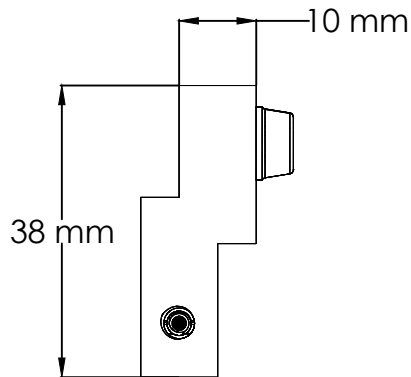
SHEET No:
1 of 1



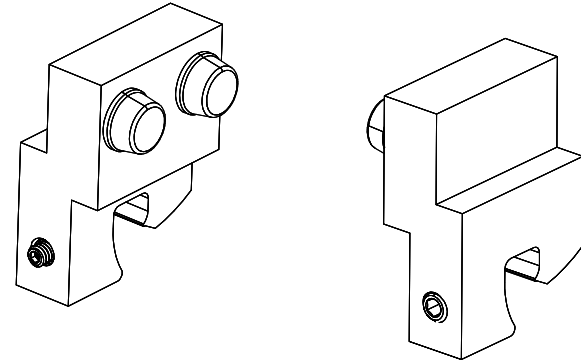
*Not to Scale



*Not to Scale



*Not to Scale



ALL DRAWINGS DESIGN, SPECIFICATIONS AND COPIES FURNISHED BY RENIN CANADA ARE AND SHALL REMAIN AS ITS EXCLUSIVE PROPERTY AND ARE NOT TO BE USED ON ANY OTHER PROJECT OR REPRODUCED, COPIED, ALTERED AND MODIFIED IN WHOLE OR IN PART AND FOR WHATEVER PURPOSE INTENDED WITHOUT THE WRITTEN CONSENT OF THE OWNER (RENIN CANADA). THEY ARE TO BE RETURNED TO RENIN UPON REQUEST OR UPON THE COMPLETION OF THE PROJECT.

REVIEW OF THE SUBMISSION IS FOR COMPLIANCE WITH GENERAL INTENT OF THE CONTRACT. THIS REVIEW DOES NOT RELIEVE THE SUB-CONTRACTOR, SUPPLIER OR MANUFACTURER OF RESPONSIBILITY FOR ERROR OR OMISSIONS IN THE SUBMISSION OR RESPONSIBILITY OF MEETING ALL REQUIREMENTS OF THE CONTRACT DOCUMENTS. ANY DEVIATION FROM THE CONTRACT DOCUMENTS INITIATED BY THE SUB-CONTRACTOR, SUPPLIER OR MANUFACTURER SHALL BE AT HIS SOLE RISK. QUANTITIES AND RETAIL DIMENSIONS ARE SUB-CONTRACTORS OR SUPPLIER RESPONSIBILITY. VERIFY DATA WITH FIELD DIMENSION.

RENIN CANADA ASSUMES NO RESPONSIBILITY AS TO MEASUREMENTS OR DETAIL AFFECTING ANY WORK BUT ITS OWN AND IS NOT RESPONSIBLE FOR ANY ERRORS OCCURRING THROUGH THE USE OF THESE DRAWINGS BY OTHER PARTIES.



110 Walker Drive
Brampton, Ontario L6T 4H6
✉ info@renin.com
🌐 www.renin.com

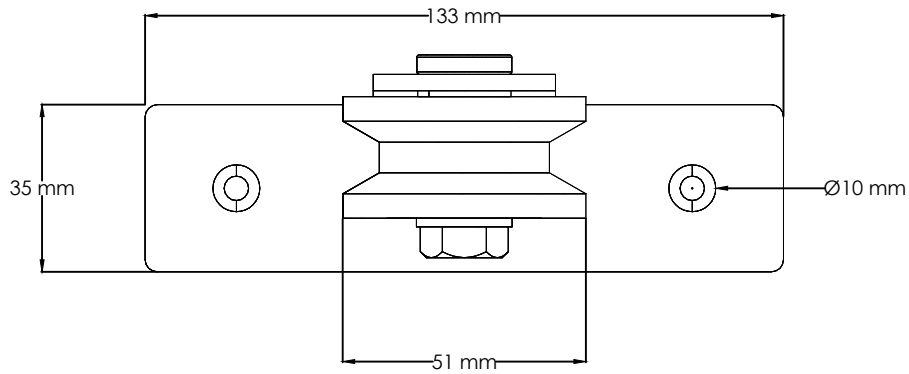
PART NUMBER: -
PRODUCT NAME: End Stops Left & Right

DESCRIPTION

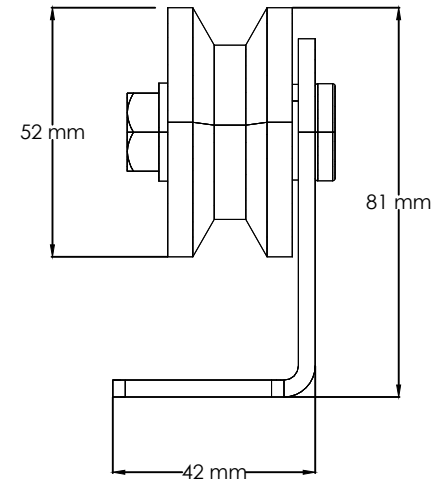
SCALE: NTS
DATE: OCT. 18 2024

SHEET No:

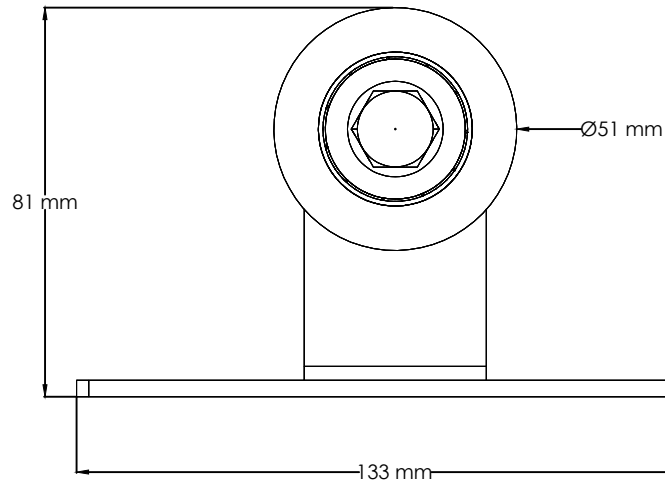
1 of 1



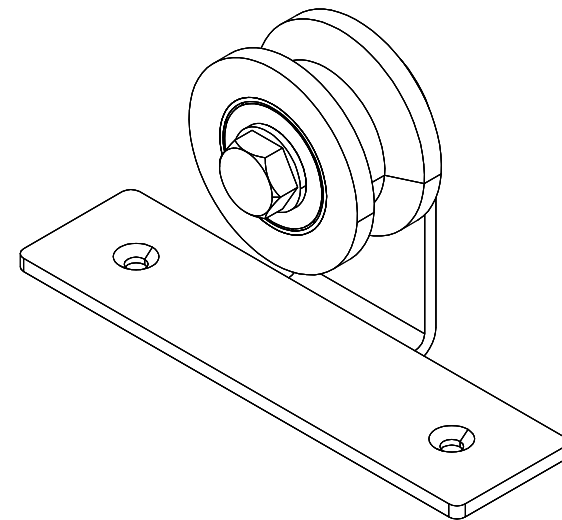
*Not to Scale



*Not to Scale



*Not to Scale



ALL DRAWINGS DESIGN, SPECIFICATIONS AND COPIES FURNISHED BY RENIN CANADA ARE AND SHALL REMAIN AS ITS EXCLUSIVE PROPERTY AND ARE NOT TO BE USED ON ANY OTHER PROJECT OR REPRODUCED, COPIED, ALTERED AND MODIFIED IN WHOLE OR IN PART AND FOR WHATEVER PURPOSE INTENDED WITHOUT THE WRITTEN CONSENT OF THE OWNER (RENIN CANADA). THEY ARE TO BE RETURNED TO RENIN UPON REQUEST OR UPON THE COMPLETION OF THE PROJECT.

REVIEW OF THE SUBMISSION IS FOR COMPLIANCE WITH GENERAL INTENT OF THE CONTRACT. THIS REVIEW DOES NOT RELIEVE THE SUB-CONTRACTOR, SUPPLIER OR MANUFACTURER OF RESPONSIBILITY FOR ERROR OR OMISSIONS IN THE SUBMISSION OR RESPONSIBILITY OF MEETING ALL REQUIREMENTS OF THE CONTRACT DOCUMENTS. ANY DEVIATION FROM THE CONTRACT DOCUMENTS INITIATED BY THE SUB-CONTRACTOR, SUPPLIER OR MANUFACTURER SHALL BE AT HIS SOLE RISK. QUANTITIES AND RETAIL DIMENSIONS ARE SUB-CONTRACTORS OR SUPPLIER RESPONSIBILITY. VERIFY DATA WITH FIELD DIMENSION.

RENIN CANADA ASSUMES NO RESPONSIBILITY AS TO MEASUREMENTS OR DETAIL AFFECTING ANY WORK BUT ITS OWN AND IS NOT RESPONSIBLE FOR ANY ERRORS OCCURRING THROUGH THE USE OF THESE DRAWINGS BY OTHER PARTIES.



110 Walker Drive
Brampton, Ontario L6T 4H6
✉ info@renin.com
🌐 www.renin.com

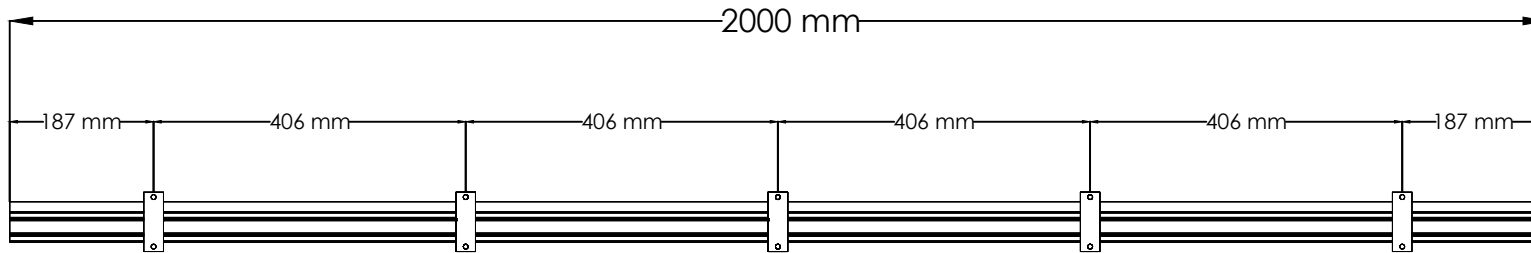
PART NUMBER: -
PRODUCT NAME: Top Mount Assembly

DESCRIPTION

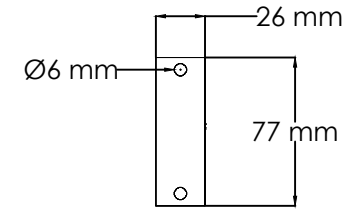
SCALE: NTS
DATE: OCT. 18 2024

SHEET No:

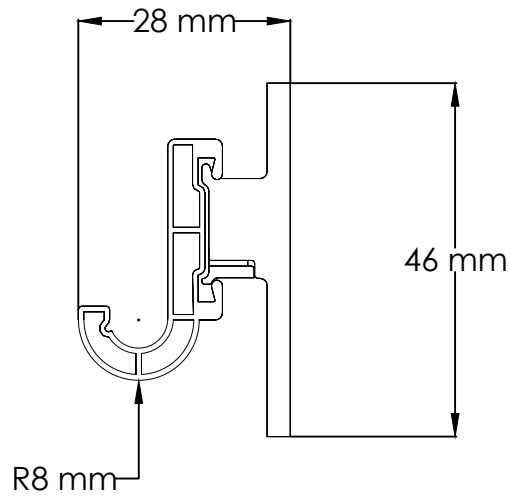
1 of 1



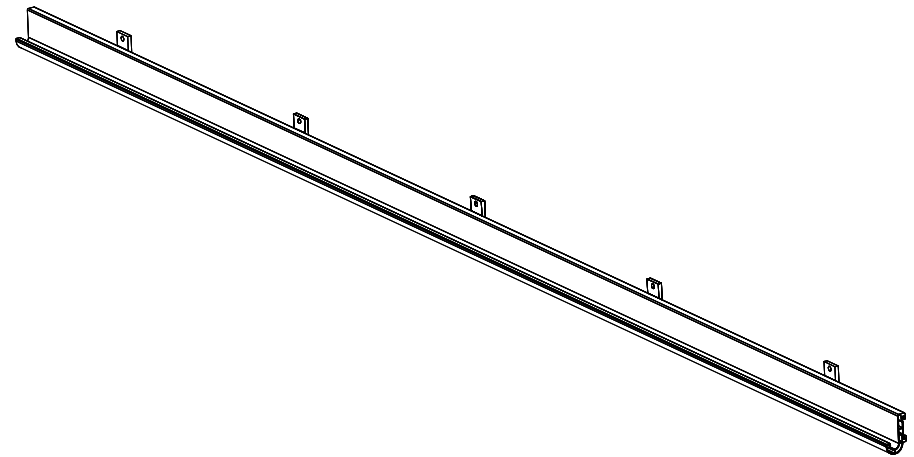
*Not to Scale



*Not to Scale



*Not to Scale



ALL DRAWINGS DESIGN, SPECIFICATIONS AND COPIES FURNISHED BY RENIN CANADA ARE AND SHALL REMAIN AS ITS EXCLUSIVE PROPERTY AND ARE NOT TO BE USED ON ANY OTHER PROJECT OR REPRODUCED, COPIED, ALTERED AND MODIFIED IN WHOLE OR IN PART AND FOR WHATEVER PURPOSE INTENDED WITHOUT THE WRITTEN CONSENT OF THE OWNER (RENIN CANADA). THEY ARE TO BE RETURNED TO RENIN UPON REQUEST OR UPON THE COMPLETION OF THE PROJECT.

REVIEW OF THE SUBMISSION IS FOR COMPLIANCE WITH GENERAL INTENT OF THE CONTRACT. THIS REVIEW DOES NOT RELIEVE THE SUB-CONTRACTOR, SUPPLIER OR MANUFACTURER OF RESPONSIBILITY FOR ERROR OR OMISSIONS IN THE SUBMISSION OR RESPONSIBILITY OF MEETING ALL REQUIREMENTS OF THE CONTRACT DOCUMENTS. ANY DEVIATION FROM THE CONTRACT DOCUMENTS INITIATED BY THE SUB-CONTRACTOR, SUPPLIER OR MANUFACTURER SHALL BE AT HIS SOLE RISK. QUANTITIES AND RETAIL DIMENSIONS ARE SUB-CONTRACTORS OR SUPPLIER RESPONSIBILITY. VERIFY DATA WITH FIELD DIMENSION.

RENIN CANADA ASSUMES NO RESPONSIBILITY AS TO MEASUREMENTS OR DETAIL AFFECTING ANY WORK BUT ITS OWN AND IS NOT RESPONSIBLE FOR ANY ERRORS OCCURRING THROUGH THE USE OF THESE DRAWINGS BY OTHER PARTIES.



110 Walker Drive
Brampton, Ontario L6T 4H6
✉ info@renin.com
🌐 www.renin.com

PART NUMBER: -
PRODUCT NAME: Track & Hanger

DESCRIPTION

SCALE: NTS
DATE: OCT. 18 2024

SHEET No:

1 of 1