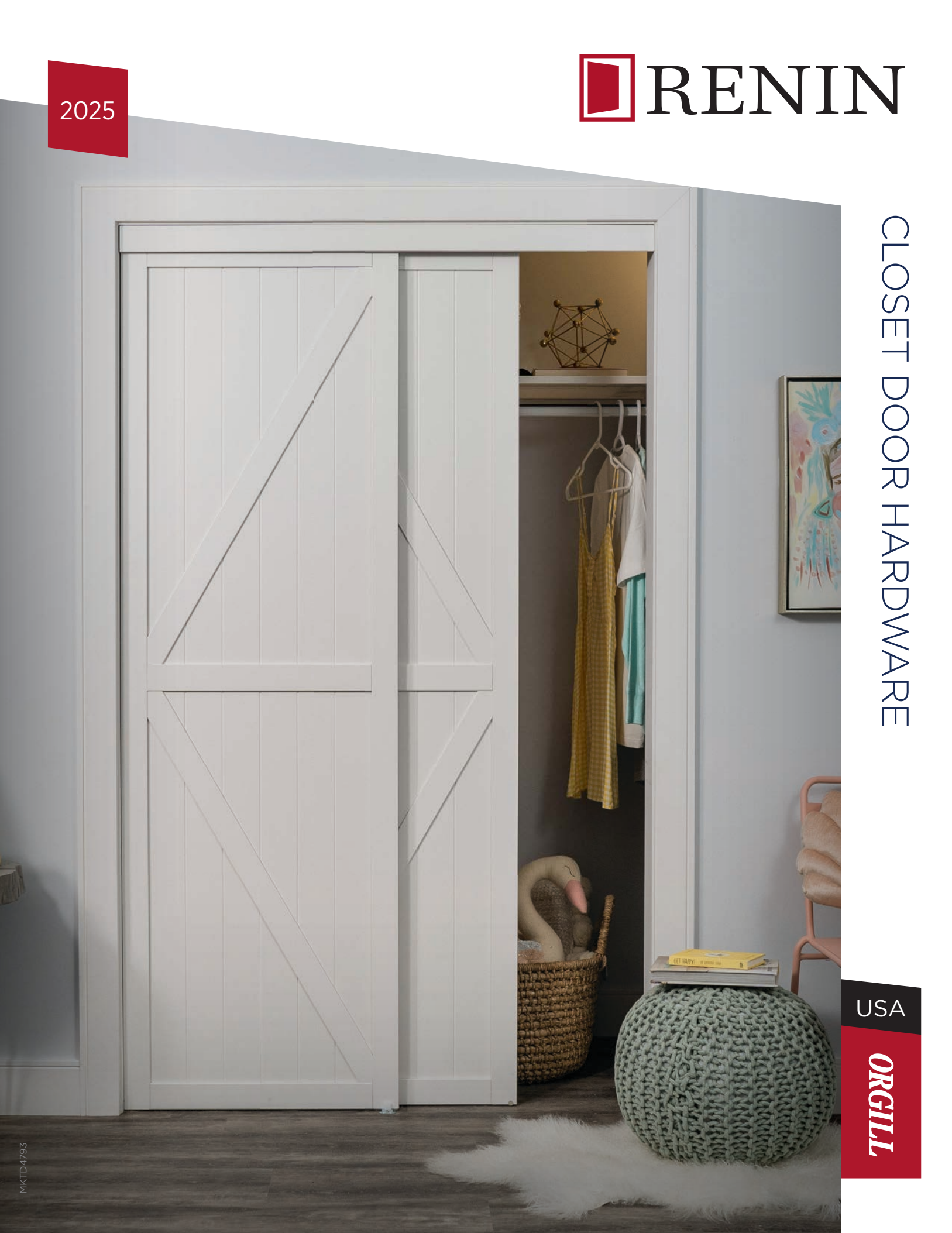


2025

 **RENIN**

CLOSET DOOR HARDWARE



USA

ORGILL

Closet Bypass Hardware/Accessories

CLOSET BYPASS HARDWARE

Orgill SKU #	LE Orgill Item #	Description	Renin Part #	Johnson Part #
8116147	3783834	Bypass Door Floor Guide 3/4" - 1 3/8" thick doors	BP101P	2118
8116055	7854763	Bypass Door Hardware & Track Set 48" Aluminum J-Track 60lbs 2DR	BP210K-04800-AL	2200482D
8116063	3550589	Bypass Door Hardware & Track Set 48" Aluminum J-Track 60lbs 2DR	BP210K-06000-AL	2200602D
8116071	1800846	Bypass Door Hardware & Track Set 72" Aluminum J-Track 60lbs 2DR	BP210K-07200-AL	2200722D
8116279	3105855	Bypass Door Hardware & Track set 48" BX Track Aluminum 200lbs 2DR	BP831BB-04800-AL	138F482D
8116287	N/A	Bypass Door Hardware & Track set 60" BX Track Aluminum 200lbs 2DR	BP831BB-06000-AL	138F722D
8116295	3105863	Bypass Door Hardware & Track set 72" BX Track Aluminum 200lbs 2DR	BP831BB-07200-AL	138F722D
8116303	N/A	Bypass Door Hardware & Track set 96" BX Track Aluminum 200lbs 4DR	BP831BB-09600-AL	138F722D
8116311	9992793	Bypass Door Hardware & Track Set 48" Aluminum J-Track 50lbs 2DR	BP0022F-04800-AL	2200F481
8116329	8197782	Bypass Door Hardware & Track Set 60" Aluminum J-Track 50lbs 2DR	BP0022F-06000-AL	2200F601
8116337	0033928	Bypass Door Hardware & Track Set 72" Aluminum J-Track 50lbs 2DR	BP0022F-07200-AL	2200F721
8116345	3614047	Bypass Door Hardware & Track Set 96" Aluminum J-Track 50lbs 4DR	BP0022F-09600-AL	2200F961
8116360	2368520	Wall mounted Sliding Door Hardware & Track set 72" Aluminum 200lbs	AW0162F-07200-ALBB	2610F721
8116774	2368561	Bypass Single Wheel Hanger 3/8" Offset 2PK	HW8322P	2238PPK2
8116782	2368546	Bypass Single Wheel Hanger 1/16" Offset 2PK	HW6122P	2216PPK2

CLOSET BYPASS & BIFOLD SERIES COMPONENT HARDWARE

Tailored for contractors, fabricators, door/trim installers, do-it-yourself installation and/or repairs, Renin's closet door hardware can change the appearance of your doors or refresh existing hardware that has worn out over the years. There's nothing more satisfying than a seamless door installation process and our long history crafting hardware means we can accommodate the most unique and unusual hardware specifications, while maintaining the door's integrity and keeping the instructions simple for any installers or homeowners.

About Renin

Renin designs and manufactures innovative interior sliding doors and hardware systems across North America, Europe, and around the world. Since we first invented the sliding mirror closet door in the 1960s, our legacy of innovation has endured, leading us to become one of the largest interior sliding door and hardware manufacturers in North America. Through our dynamic global supply network and local manufacturing operations in the United States and Canada, we supply wholesalers, builders, fabricators, and retailers with a **complete systems and hardware and components for Pocket Doors, Closet Doors, Barn Doors, and Room Dividers.**

Hardware

Bypass Door

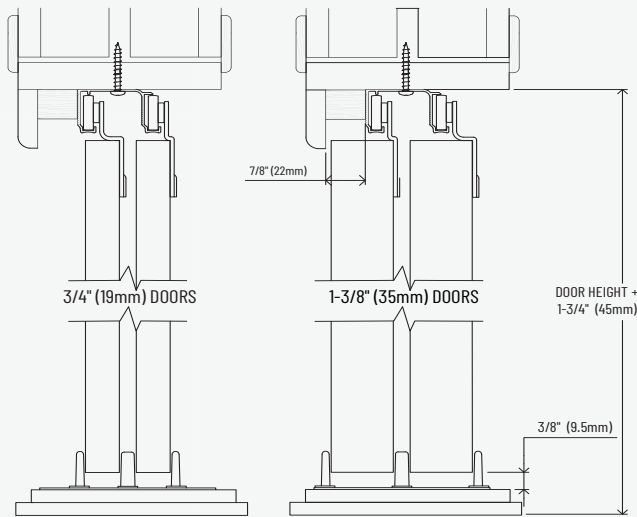
BD210K CLOSET HARDWARE AND TRACK KITS



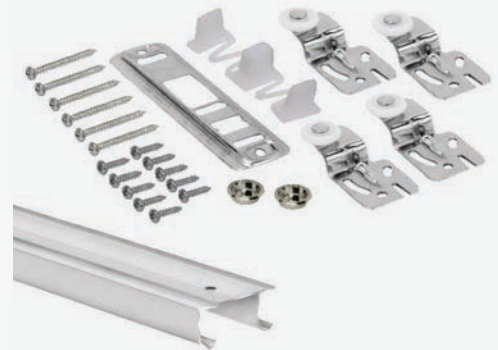
Package



Product Specifications



Included Components



FEATURES

- Aluminum J track and hanger hardware for hanging 2 panels for a bypass configuration
- Aluminum J-track fits 48", 60" and 72" openings (can be cut down to a smaller size)
- Set supports door widths of 3/4" - 1 3/8" and weighing up to 60lbs
- Includes aluminum J-track, 4 hangers, floor guide, door pulls and fasteners

Compatible with LE Johnson 2200D series.

Orgill SKU#	MFG. Part#	Description	UPC#
8116055	BP210K-04800-AL	Bypass Door Hardware & Track Set 48" Aluminum J-Track 60lbs 2DR	043044994249
8116063	BP210K-06000-AL	Bypass Door Hardware & Track Set 60" Aluminum J-Track 60lbs 2DR	043044994256
8116071	BP210K-07200-AL	Bypass Door Hardware & Track Set 72" Aluminum J-Track 60lbs 2DR	043044994263

Bypass Door

Hardware

BP831BB

HEAVY DUTY HARDWARE AND TRACK KITS

The heavy duty bypass series is designed to support doors up to 200lbs. The track includes a built in fascia to hide the hardware and is available in various lengths.



Package	Product Specifications	Included Components

FEATURES

- Includes an aluminum track, ball bearing trolleys, hanger plates, floor guide, satin nickel door pull, track, door stops, and fastener hardware
- Bypass door track fits 48", 60", 72" and 96" x 80" openings
- Maximum weight 200lbs

Compatible with LE Johnson 138F Series.

Orgill SKU#	MFG. Part#	Description	UPC#
8116279	BP831BB-04800-AL	Bypass Door Hardware & Track set 48" BX Track Aluminum 200lbs 2DR	043044995598
8116287	BP831BB-06000-AL	Bypass Door Hardware & Track set 60" BX Track Aluminum 200lbs 2DR	043044995604
8116295	BP831BB-07200-AL	Bypass Door Hardware & Track set 72" BX Track Aluminum 200lbs 2DR	043044995611
8116303	BP831BB-09600-AL	Bypass Door Hardware & Track set 96" BX Track Aluminum 200lbs 4DR	043044995628

Hardware

Bypass Door

BP0022F

INTEGRATED FASCIA BYPASS KIT

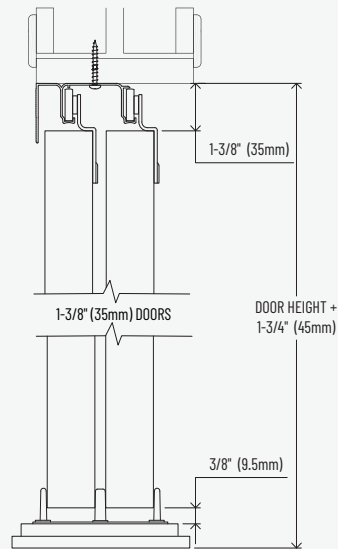
The closet door bypass kit includes a aluminum double J-track with built in fascia to hide hanger hardware. Adjustable nylon rollers provide smooth rolling and can support panels up to 50lbs in weight. Available in various sizes.



Package



Product Specifications



Included Components



FEATURES

- Includes a aluminum double J-track with a built-in fascia to hide the hardware
- Track fits openings 48", 60", 72" and 96" wide x 80" high

Compatible with LE Johnson 2200F481 Series.

Orgill SKU#	MFG. Part#	Description	UPC#
8116311	BP0022F-04800-AL	Bypass Door Hardware & Track Set 48" Aluminum J-Track 50lbs 2DR	043044996274
8116329	BP0022F-06000-AL	Bypass Door Hardware & Track Set 60" Aluminum J-Track 50lbs 2DR	043044996298
8116337	BP0022F-07200-AL	Bypass Door Hardware & Track Set 72" Aluminum J-Track 50lbs 2DR	043044996304
8116345	BP0022F-09600-AL	Bypass Door Hardware & Track Set 96" Aluminum J-Track 50lbs 4DR	043044996281

AW0162F

WALL MOUNTED HARDWARE AND TRACK KIT

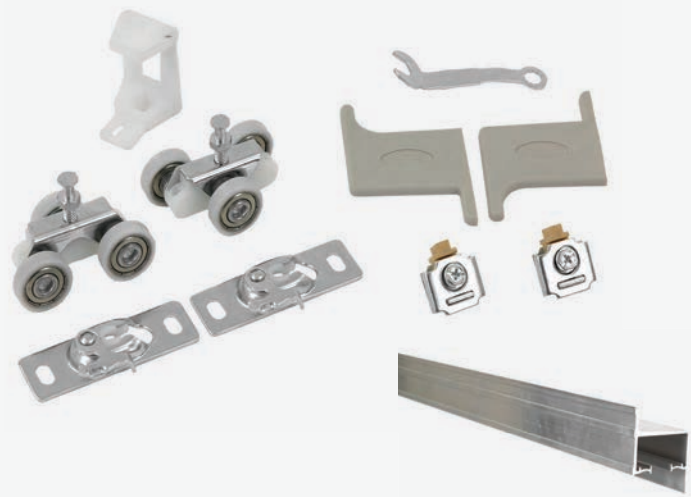
The sliding door hardware and track kit is mounted to the wall instead of the opening. Provides a modern look and with it's aluminum box track and ball bearing wheels can support doors up to 200lbs. Can accept doors higher than 80". Track is aluminum for smooth quiet rolling and built in fascia to hide hanger hardware.



Package



Included Components



FEATURES

- Designed for wall mounted installations similar to barn door functionality
- Can hold doors up to 200lbs
- Door thickness 1" - 1 3/4"
- Can be cut to fit smaller door widths
- Includes aluminum box track with fascia, ball bearing trolleys and hanger plates, wall guide, track stops, track end caps, wrench and fastener hardware

Compatible with LE Johnson 2610F721.

Orgill SKU#	MFG. Part#	Description	UPC#
8116360	AW0162F-07200-ALBB	Wall mounted Sliding Door Hardware & Track set 72" Aluminum 200lbs	043044996366

Hardware

Bypass Door

HW8322P 3/8" OFFSET REPLACEMENT HARDWARE

The single wheel bypass hanger series is designed to be used on steel or aluminum J-tracks with or without a fascia.



Package	Product Specifications	Included Components

FEATURES

- Includes 2 single wheel (3/8") offset hangers, and nylon wheel with steel body
- 3/8" offset hangers can be used with 1 3/8" door thickness

Compatible with
LE Johnson 2238PPK2.

Orgill SKU#	MFG. Part#	Description	UPC#
8116774	HW8322P	Bypass Single Wheel Hanger 3/8" Offset 2PK	043044996571

HW6122P 1/16" OFFSET REPLACEMENT HARDWARE



Package	Product Specifications	Included Components

FEATURES

- Includes 2 single wheel 1/16" offset hangers with fasteners, and nylon wheel with steel body
- Maximum door support 50lbs
- 1/6" offset can be used on thinner door thicknesses
- For J-tracks without fascia should be combined with 1 pair of 3/8" offset hangers

Compatible with
LE Johnson 2216PPK2.

Orgill SKU#	MFG. Part#	Description	UPC#
8116782	HW6122P	Bypass Single Wheel Hanger 1/16" Offset 2PK	043044996564

Closet Bifold Hardware/Accessories

CLOSET BIFOLD HARDWARE

Orgill SKU #	LE Orgill Item #	Description	Renin Part #	Johnson Part #
8116212	0968537	Bifold Door 36" Hardware Track Set 2 Panel Steel 40lbs	BF1700-03600-BW	1700363H
8116220	1379999	Bifold Door 48" Hardware Track Set 4 Panel Steel 40lbs	BF1700-04800-BW	1700486H
8116238	5827415	Bifold Door 60" Hardware Track Set 4 Panel Steel 40lbs	BF1700-06000-BW	1700606H
8116246	6240881	Bifold Door 72" Hardware Track Set 4 Panel Steel 40lbs	BF1700-07200-BW	1700726H
8116253	N/A	Bifold Door 96" Hardware Track Set 4 Panel Steel 40lbs	BF1700-09600-BW	1700966H
8116733	0968552	Bifold Hardware Kit 2 Panel 1" - 1 3/4" Wide Panels	BF0071P	1700PPK3
8116741	4279428	Bifold Universal Bottom Pivot Kit	BF7181P	1817PPK3
8116758	1211622	Bifold Universal Top Guide Kit	BF2381P	1832PPK3
8116766	0974998	Bifold Door Aligners 2PK	BF8081P	1808PPK1

BF1700

STEEL TRACK AND HARDWARE KITS

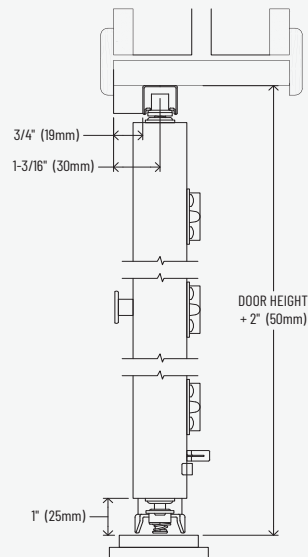
Bifold Hardware steel track set includes all the hardware required to install your bifold closet panels in 2 or 4 Panel configurations. Sleek painted white track with carriers pre-installed and panel hinges will ensure your panels slide effortlessly. Available in track sizes from 36" - 96".



Package



Product Specifications



Included Components



FEATURES

- Includes steel track with carrier, jamb pivot, pivot brackets, hinges and door pull
- Includes enough hardware to connect 2 or 4 panels
- Painted white steel track

Compatible with LE Johnson 1700 Series.

Orgill SKU#	MFG. Part#	Description	UPC#
8116212	BF1700-03600-BW	Bifold Door 36" Hardware Track Set 2 Panel Steel 40lbs	043044994973
8116220	BF1700-04800-BW	Bifold Door 48" Hardware Track Set 4 Panel Steel 40lbs	043044994980
8116238	BF1700-06000-BW	Bifold Door 60" Hardware Track Set 4 Panel Steel 40lbs	043044994997
8116246	BF1700-07200-BW	Bifold Door 72" Hardware Track Set 4 Panel Steel 40lbs	043044995000
8116253	BF1700-09600-BW	Bifold Door 96" Hardware Track Set 4 Panel Steel 40lbs	043044996069

Bifold Door

Hardware

BF0071P

REPLACEMENT HARDWARE KIT

Universal pivot kit for repair of bifold pivot and carrier components on BF1700 series tracks.



Package



Included Components



FEATURES

- Includes hardware to connect 1 pair of panels
- Includes jamb pivot, pivot brackets, pivot carrier, track stop and adjustment wrench
- Does not include track or hinges
- For repairs of pivot components on existing bifold closets

Compatible with
LE Johnson 1700PPK3.

Orgill SKU#	MFG. Part#	Description	UPC#
8116733	BF0071P	Bifold Hardware Kit 2 Panel 1" - 1 3/4" Wide Panels	043044996519

BF8081P

REPLACEMENT DOOR ALIGNERS

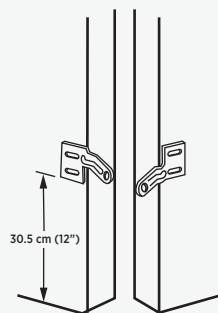
The bifold panel aligners are used to align 2 panels and when closed they stay flush.



Package



Product Specifications



Included Components



FEATURES

- Includes 2 panel aligners for bifold panels of any size and fastener hardware
- Installs on the back of the panels were 2 sets of panels connect in the middle
- Easy to install

Compatible with
LE Johnson 1808PPK1.

Orgill SKU#	MFG. Part#	Description	UPC#
8116766	BF8081P	Bifold Door Aligners 2PK	043044996526

Hardware

Bifold Door

BF7181P REPLACEMENT BOTTOM PIVOT

The bifold door universal bottom pivot kit is used to repair existing bottom pivot on existing bifold models.



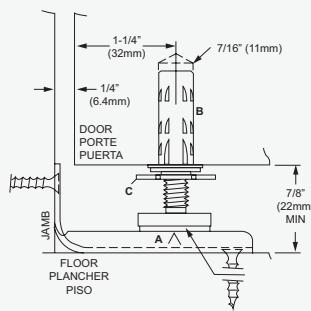
FEATURES

- Includes pivot, pivot jamb bracket, and fastener hardware

Package



Product Specifications



Included Components



Orgill SKU#	MFG. Part#	Description	UPC#
8116741	BF7181P	Bifold Universal Bottom Pivot Kit	043044996540

BF2381P REPLACEMENT TOP GUIDE

The bifold door universal top guide kit is used to repair existing top guide on various bifold models.



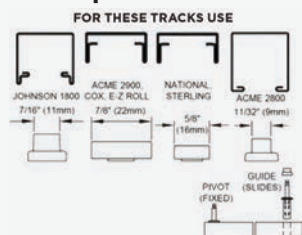
FEATURES

- Includes top guide
- Compatible with multiple manufacture

Package



Product Specifications



Included Components



Compatible with LE Johnson 1700PPK3.

Orgill SKU#	MFG. Part#	Description	UPC#
8116758	BF2381P	Bifold Universal Top Guide Kit	043044996472

Merchandising

RENIN CLOSET DOOR HARDWARE

Renin offers a complete set of merchandising options and packages for our closet door hardware. We have multiple POG options that can be tailored to your needs. We can also combine our closet, pocket, and barn door hardware collections to fit your needs.

We also have freestanding fixtures to accommodate limited space situations. Please contact orders@renin.com for more information.



110 Walker Drive
Brampton ON, L6T 4H6
Canada

1141 Ryder Street
Tupelo MS, 38804
USA

www.renin.com
info@renin.com
orders@renin.com

Follow us



DISTRIBUTED BY

ORGILL