

2025

 **RENIN**

POCKET DOOR HARDWARE



USA

**ORGILL**

# Pocket Door Hardware/Accessories

## POCKET DOOR HARDWARE

Orgill SKU #	LE Orgill Item #	Description	Renin Part #	Johnson Part #
8116089	4104741	Pocket Door Frame Kit 36" x 80" Knock Down	PD3068MKDBB	153068PF
8116097	5329594	Pocket Door Frame Kit 36" x 96" Knock Down	PD3080MKDBB	153080HD
8116808	6972756	Heavy Duty Pocket Door Frame Kit 36" x 80" Knock Down 400lbs	PD203068	203068PF
8116824	6972772	Heavy Duty Pocket Door Frame Kit 36" x 96" Knock Down 400lbs	PD203080	203080PF
8116113	6109649	Pocket Door Hardware Track Set 72"	PD100-07200-AL	100721DR
8116717	6972749	Heavy Duty Pocket Door Track 72" 400lbs	PD200-07200-AL	200721DR
8116188	4037883, 4037909	3 Wheel BB Soft Close Pocket Door Kit 20-40KG 44/88lbs	HWSCF6340-3WBB2040	1060
8116725	1578640	Pocket Door Split Jamb Kit Primed White	PD01513068	15103068
8116121	0198127	Pocket Door Hardware set 125lbs	PD113P	11311125
8116139	N/A	Pocket Door Hardware Set 200lbs	PD119P	10311005
8116832	6972830	Heavy Duty Pocket Door Hanger set 400lbs	PD7202P	2027SD-1
8116154	1578657	Pocket Door Guide set	PD120P	1550
8116162	5329586	Pocket Door Converging Door Connector Kit	PD118P	1555PPK3
8116840	8157042	Pocket Door Spacer 1 3/4" Kit	PD5751P	1575PPK3
8116147	3783834	Bypass Door Floor Guide 3/4" - 1 3/8" thick doors	BP101P	2118

## POCKET DOOR SERIES COMPONENT HARDWARE

Tailored for contractors, fabricators, door/trim installers, do-it-yourself installation and/or repairs, Renin's pocket door hardware can change the appearance of your doors or refresh existing hardware that has worn out over the years.

There's nothing more satisfying than a seamless door installation process and our long history crafting hardware means we can accommodate the most unique and unusual hardware specifications, while maintaining the door's integrity and keeping the instructions simple for any installers or homeowners.

### About Renin

Renin designs and manufactures innovative interior sliding doors and hardware systems across North America, Europe, and around the world. Since we first invented the sliding mirror closet door in the 1960s, our legacy of innovation has endured, leading us to become one of the largest interior sliding door and hardware manufacturers in North America.

Through our dynamic global supply network and local manufacturing operations in the United States and Canada, we supply wholesalers, builders, fabricators, and retailers with a **complete systems and hardware and components for Pocket Doors, Closet Doors, Barn Doors, and Room Dividers.**

# Frame Kits

# Pocket Door

## PD3068 / PD3080 KNOCK DOWN FRAME KIT

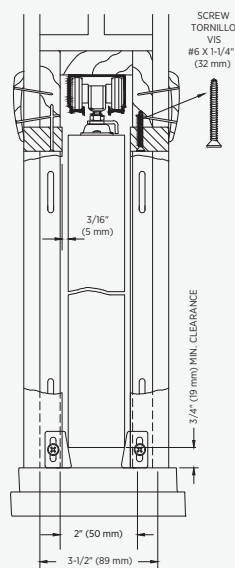
Our adjustable pocket door frame is easy to assemble and is built for an easy installation. Pocket doors are designed to create functionality in a room while utilizing limited space



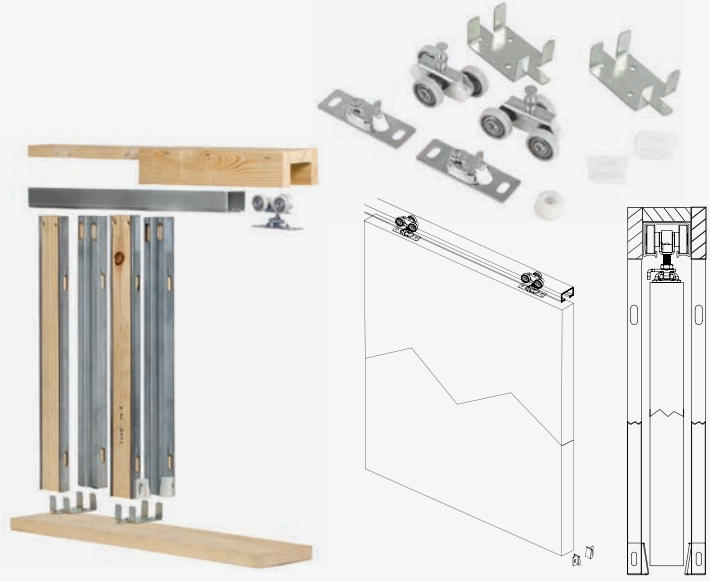
### Package



### Product Specifications



### Included Components



## FEATURES

- Knock down design, easy to assemble and transport
- Adjustable width for openings 24" - 36" and 80" or 96" height
- The wheel and ball bearing system allows for smooth rolling
- The aluminum track can hold doors up to 200lbs

Compatible with LE Johnson 153068PF/ 153080HD series.

Orgill SKU#	MFG. Part#	Description	UPC#
8116089	PD3068MKDBB	Pocket Door Frame Kit 36" x 80" Knock Down	043044994201
8116097	PD3080MKDBB	Pocket Door Frame Kit 36" x 96" Knock Down	043044994218

# Pocket Door

# Frame Kits

## PD2030

### 400LBS HEAVY DUTY KIT

Pocket door frame kits are designed for heavy duty applications and can support doors up to 400lbs



Package	Product Specifications	Included Components

## FEATURES

- Knock down design, easy to assemble and transport
- 4-wheel and bearing system allows for smooth quiet rolling
- The beam track can support doors up to 400lbs
- For opening sizes, 36", 80" and 96" high
- Can be cut down to 24"

Compatible with LE Johnson 2030PF series.

Orgill SKU#	MFG. Part#	Description	UPC#
8116808	PD203068	Heavy Duty Pocket Door Frame Kit 36" x 80" Knock Down 400lbs	043044996588
8116824	PD203080	Heavy Duty Pocket Door Frame Kit 36" x 96" Knock Down 400lbs	043044996625

# Track Kits

# Pocket Door

## PD100 TRACK KIT ONLY

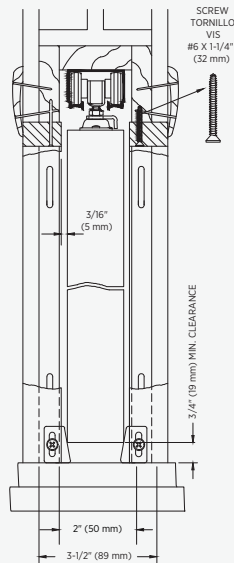
The Pocket door hardware and track kit is perfect for those who already have an existing frame and only need hardware



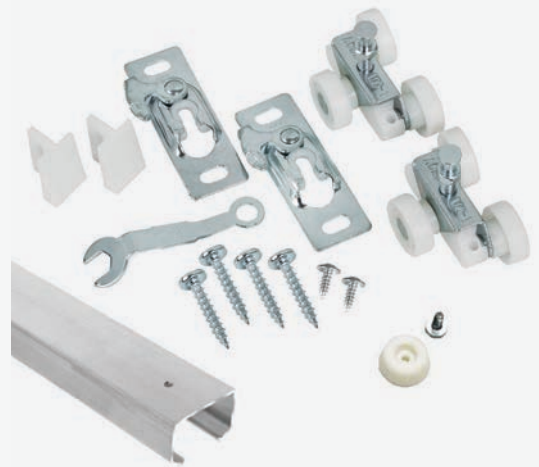
### Package



### Product Specifications



### Included Components



## FEATURES

- Aluminum track for smooth rolling
- Designed for 72" door openings
- Kit Includes aluminum track, 2 hangers and 2 plates, door guides, bumper, wrench, and screws
- Maximum door weight 125lbs

Compatible with LE Johnson 100721DR series.

Orgill SKU#	MFG. Part#	Description	UPC#
8116113	PD100-07200-AL	Pocket Door Hardware Track Set 72"	043044994225

# Pocket Door

# Track Kits

## PD200

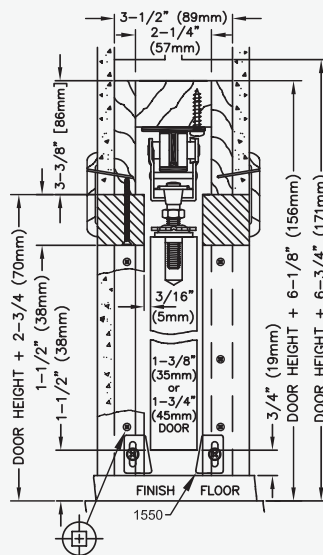
400LBS HEAVY DUTY  
TRACK KIT ONLY



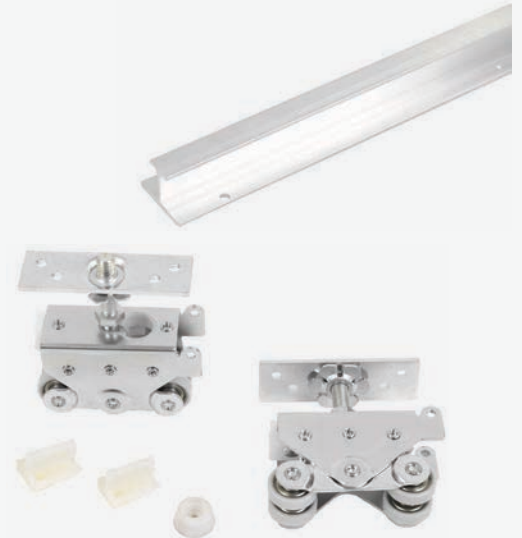
### Package



### Product Specifications



### Included Components



## FEATURES

- 4-wheel ball bearing system for smooth and quiet rolling
- Can support doors up to 400lbs
- Knock down design, easy to assemble and transport
- Designed for door openings 72" wide

Compatible with LE Johnson 200721DR series.

Orgill SKU#	MFG. Part#	Description	UPC#
8116717	PD200-07200-AL	Heavy Duty Pocket Door Track Set 400lbs	043044996649

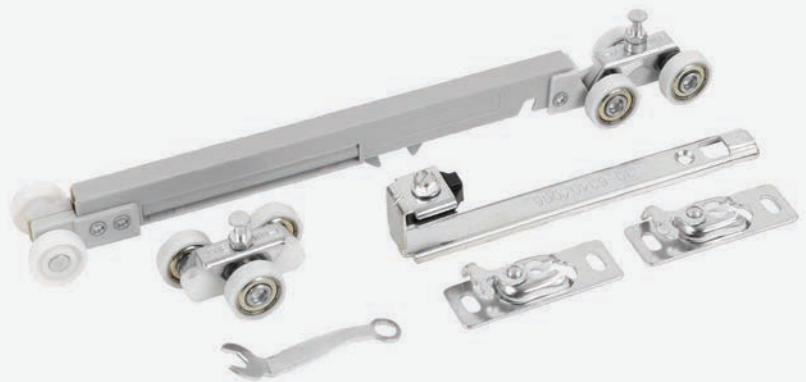
## HWSCR6340 SOFT CLOSE KIT

The Pocket door soft close hardware series is designed for pocket doors using aluminum box tracks

Package



Included Components



## FEATURES

- Includes 3-wheel trolley, hanger plate, soft-close trigger, wrench, and fasteners
- Maximum door weight 88lbs
- The soft close series is designed for pocket doors using aluminum box tracks

Compatible with LE Johnson 1060.

Orgill SKU#	MFG. Part#	Description	UPC#
8116188	HWSCF6340-3WBB2040	3 Wheel BB Soft Close Pocket Door Kit 20-40KG 44/88lbs	043044983410

## PD015130 DOOR JAMB KIT



### FEATURES

- 5 pre-cut jambs of the opening frame are pre-cut to size to allow the pocket door to slide in between.
- Primed white and ready to paint
- Designed for door openings 36" x 80" x 4 9/16" and 2 x 4 wall structures, 1 3/8" door thickness

Compatible with LE Johnson 15103068.

Orgill SKU#	MFG. Part#	Description	UPC#
8116725	PD01513068	Pocket Door Split Jamb Kit Primed White	043044996410



## PD113P / PD119P REPLACEMENT HARDWARE

### Package



PD113P



PD119P

### Included Components



\*PD113P Hardware shown

### FEATURES

- 3-wheel hanger Kit
- Hardware for 1 door weighing 125lbs or 200lbs
- Non ball bearing wheels for smooth and quiet rolling
- Includes 2 hangers, 2 hanger plates, door guides, bumper and fastener hardware

Compatible with LE Johnson  
11311125 / 10311005.

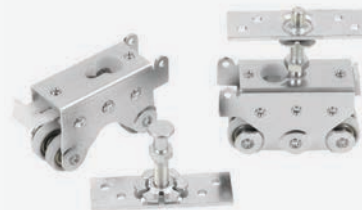
Orgill SKU#	MFG. Part#	Description	UPC#
8116121	PD113P	Pocket Door Hardware set 125lbs	043044994225
8116139	PD119P	Pocket Door Hardware Set 200lb	043044971400

## PD7202P HEAVY DUTY REPLACEMENT HARDWARE

### Package



### Included Components



### FEATURES

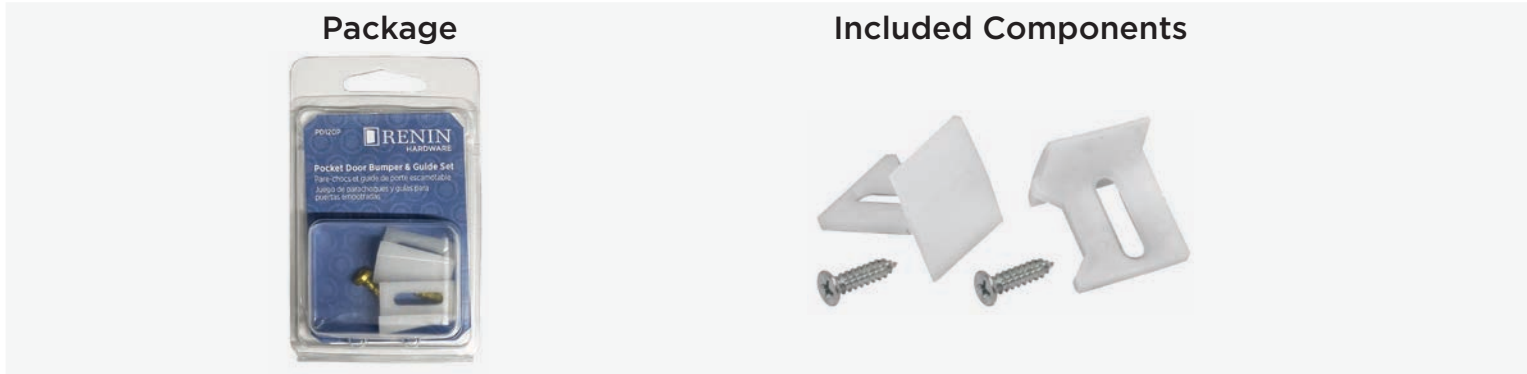
- Heavy duty trolleys and hanger plate kit designed
- Compatible with I Track
- 4-wheel ball bearing hangers can support a 400lbs door
- For doors 1 1/8" - 1 3/4" wide

Compatible with LE Johnson 2027SD-1.

Orgill SKU#	MFG. Part#	Description	UPC#
8116832	PD7202P	Heavy Duty Pocket Door Hanger set 400lbs	043044996632

## PD120P

### REPLACEMENT DOOR GUIDES



### FEATURES

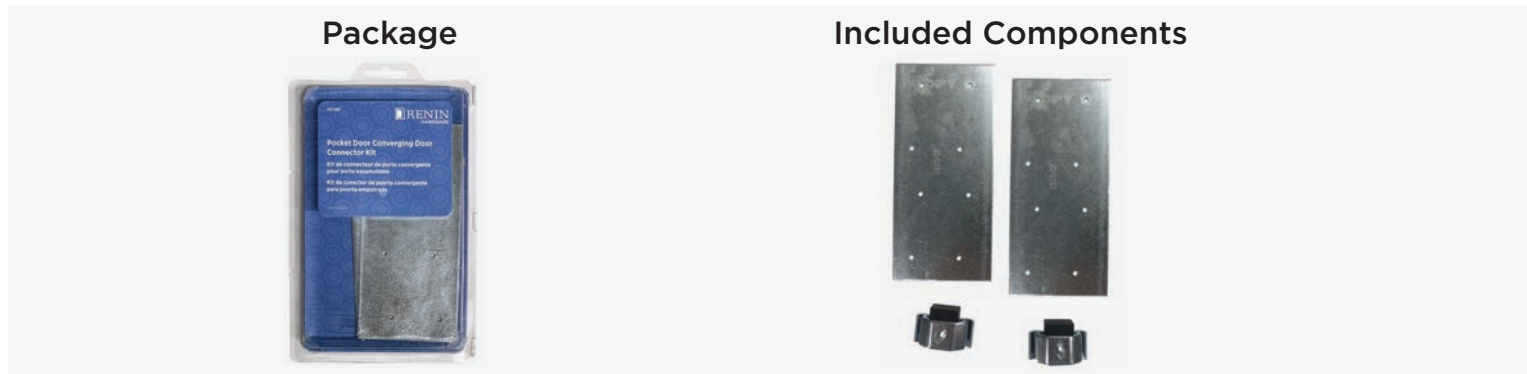
- Includes 2 pocket door guides and fastener hardware
- Designed for new installation or for repairing existing doors

Compatible with LE Johnson 1550.

Orgill SKU#	MFG. Part#	Description	UPC#
8116154	PD120P	Pocket Door Guide set	043044986169

## PD118P

### DOUBLE DOOR CONNECTOR



### FEATURES

- Allows for the connection of 2 pocket door frames
- Steel plates install on front and back header for a sturdy connection
- Includes brackets, and 2 door stoppers (screws not included)
- Compatible with 2x4, and 2x6 door frames

Compatible with LE Johnson 1555PPK3.

Orgill SKU#	MFG. Part#	Description	UPC#
8116162	PD118P	Pocket Door Converging Door Connector Kit	043044971530

## PD5751P

### 1-3/4" WIDTH DOOR ADAPTER

Package



Included Components



### FEATURES

- Pocket door spacer kit is used to adapt pocket door frames to accept doors 1 3/4" thickness
- Includes 1 3/4" floor brackets and spacers

Compatible with LE Johnson 1575PPK3.

Orgill SKU#	MFG. Part#	Description	UPC#
8116840	PD5751P	Pocket Door Spacer 1 3/4" Kit	043044996489

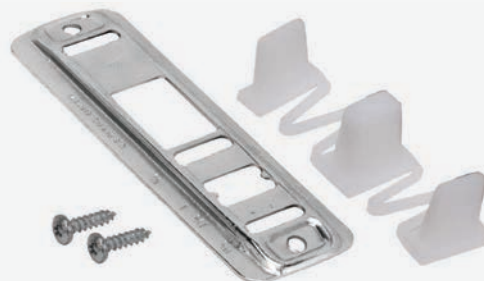
## BP101P

### REPLACEMENT ADJUSTABLE DOOR GUIDE

Package



Included Components



### FEATURES

- The Bypass floor door guide keeps the Bypass door straight and slides smoothly
- Adjustable to fit 3/4" - 1 3/8" Doors
- Includes guide and installation screws
- Easy to install

Compatible with LE Johnson 2118.

Orgill SKU#	MFG. Part#	Description	UPC#
8116147	BP101P	Bypass Door Floor Guide 3/4" - 1 3/8" thick doors	043044971158

# Merchandising

## RENIN POCKET DOOR HARDWARE

Renin offers a complete set of merchandising options and packages for our pocket door hardware. We have multiple POG options that can be tailored to your needs. We can also combine our pocket, closet, and barn door hardware collections to fit your needs. We also have freestanding fixtures to accommodate limited space situations. Please contact [orders@renin.com](mailto:orders@renin.com) for more information.



110 Walker Drive  
Brampton ON, L6T 4H6  
Canada

1141 Ryder Street  
Tupelo MS, 38804  
USA

[www.renin.com](http://www.renin.com)  
[info@renin.com](mailto:info@renin.com)  
[orders@renin.com](mailto:orders@renin.com)

Follow us



DISTRIBUTED BY

**ORGILL**